



Listino Prezzi - *Price List*
04-18

INDICE- TABLE OF CONTENTS

Alternatori sincroni monofase - *Single-phase synchronous alternators*

2 poli - 2 poles	Pag. 4
4 poli - 4 poles	Pag. 8
Accessori e Sovrapprezzi per alternatori monofase - <i>Accessories and Overprices for single-phase alternators</i>	Pag. 9

Alternatori sincroni trifase - *Three-phase synchronous alternators*

2 poli - 2 poles	Pag. 10
4 poli - 4 poles	Pag. 13
Accessori e Sovrapprezzi per alternatori trifase serie E1 - <i>Accessories and Overprices for three-phase alternators E1 series</i>	Pag. 14
Accessori e Sovrapprezzi per alternatori trifase serie PRO - <i>Accessories and Overprices for three-phase alternators PRO series</i>	Pag. 17

Alternatori/Saldatrici- *Welders/alternators*

2 poli - 2 poles	Pag. 18
4 poli - 4 poles	Pag. 20
Accessori e Sovrapprezzi per alternatori/saldatrici - <i>Accessories and Overprices for welders/alternators</i>	Pag. 20

Accessori - <i>Accessories</i>	Pag. 22
---------------------------------------	---------

Condizioni generali di vendita - <i>General terms and sale conditions</i>	Pag. 24
--	---------

Linz Electric S.p.A.

Viale del Lavoro , 30 37040 Arcole (VR) Italy - T. +39 045 7639 201
info@linzelectric.com - www.linzelectric.com



SP10

Alternatori sincroni monofase senza spazzole a condensatore - 2 poli

Single-phase brushless synchronous alternators with capacitor - 2 poles

TIPO - TYPE	kVA (50Hz-3000 rpm)	kVA (60Hz-3600 rpm)	€
SP10S A	1.7	2	176,00
SP10S B	2.2	2.7	186,00
SP10S C	2.6	3.2	193,00
SP10S D	3	3.7	201,00
SP10S E	3.5	4.3	213,00
SP10M F	4.2	5	232,00
SP10M G	5	6	249,00

Quadri posteriori - Accessories fixed on rear cover

RAD	2 prese Schuko + 1 breaker - 2 Schuko sockets + 1 breaker	13,00
RAK	1 presa CEE (16A - 230V) + 1 presa Schuko + 1 breaker - 1 CEE socket (16A - 230V) + 1 Schuko socket + 1 breaker	16,30

+ kit caricabatteria 12 Vdc (avvolgimento con fusibile, portafusibile e boccole) - + 12 Vdc battery charger kit (winding with fuse, fuseholder and terminal posts)	+ 15,80
+ voltmetro - + voltmeter	+ 13,40

Quadri superiori - Accessories fixed on top panel

TAD	2 prese Schuko + 1 breaker - 2 Schuko sockets + 1 breaker	18,40
TAK	1 presa CEE (16A - 230V) + 1 presa Schuko + 1 breaker - 1 CEE socket (16A - 230V) + 1 Schuko socket + 1 breaker	24,00

+ kit caricabatteria 12 Vdc (avvolgimento con fusibile, portafusibile e boccole) - + 12 Vdc battery charger kit (winding with fuse, fuseholder and terminal posts)	+15,80
+ voltmetro - + voltmeter	+16,00

Quadro superiore con differenziale - Top panel with earth leakage breaker

TBZ	1 presa Schuko + 1 breaker + differenziale (con protez. IP 65) - 1 Schuko socket + 1 breaker + earth leakage breaker (with IP 65 cover)	62,00
-----	---	-------

Per accessori e sovrapprezzi fare riferimento alla tabella a pag.9 - For accessories and overprices please refer to table at page 9.



SP10



E1C10S



E1C10M

E1C10

Alternatori sincroni monofase senza spazzole a condensatore - 2 poli

Single-phase brushless synchronous alternators with capacitor - 2 poles

TIPO - TYPE	kVA (50Hz-3000 rpm)	kVA (60Hz-3600 rpm)	€
E1C10S B	2.2	2.7	235,00
E1C10S D	3	3.7	253,00
E1C10S E	3.5	4.3	265,00
E1C10S F	4.2	5	275,00
E1C10S G	5	6	291,00

Quadri posteriori - Accessories fixed on rear cover

AAD	2 prese Schuko + 1 breaker - 2 Schuko sockets + 1 breaker	16,60
AAK	1 presa CEE (16A - 230V) + 1 presa Schuko + 1 breaker - 1 CEE socket (16A - 230V) + 1 Schuko socket + 1 breaker	19,20

Quadro posteriore con differenziale - Rear cover with earth leakage breaker

ABN	2 prese Schuko + 1 breaker + differenziale (con protez. IP 65) - 2 Schuko sockets + 1 breaker + earth leakage breaker (with IP 65 cover)	67,00
-----	--	-------

TIPO - TYPE	kVA (50Hz-3000 rpm)	kVA (60Hz-3600 rpm)	€
E1C10M H	6	7.25	326,00
E1C10M I	7	8.5	361,00
E1C10M L	8	9.75	405,00

Quadri posteriori - Accessories fixed on rear cover

AAN	2 prese Schuko + 2 breakers - 2 Schuko sockets + 2 breakers	20,00
ABG	1 presa CEE (32A - 230V) + 1 presa Schuko + 2 breakers - 1 CEE socket (32A - 230V) + 1 Schuko socket + 2 breakers	25,50
	+ kit caricabatteria 12 Vdc (avvolgimento con fusibile, portafusibile e boccole) - + 12 Vdc battery charger kit (winding with fuse, fuseholder and terminal posts)	+ 18,00
	+ voltmetro - + voltmeter	+ 16,00

Quadri superiori - Accessories fixed on top cover

AET	1 presa CEE (32A - 230V) + 1 presa Schuko + 2 breakers + voltmetro 1 CEE socket (32A - 230V) + 1 Schuko socket + 2 breakers + voltmeter	53,00
AER	1 presa CEE (32A - 230V) + 1 presa CEE (16A - 230V) + 2 breakers + voltmetro 1 CEE socket (32A - 230V) + 1 CEE socket (16A - 230V) + 2 breakers + voltmeter	55,00
AEG	1 presa CEE (32A - 230V) + 1 presa CEE (16A - 230V) + mgt. bipolare (con protez. IP 65) + 1 breaker + voltmetro 1 CEE socket (32A - 230V) + 1 CEE socket (16A - 230V) + 2 poles mgt. (with IP 65 cover) + 1 breaker + voltmeter	81,00
AEV	1 presa CEE (32A - 230V) + 1 presa CEE (16A - 230V) + mgt. differ. bipol. (con protez. IP 65) + 1 breaker + voltmetro 1 CEE socket (32A - 230V) + 1 CEE socket (16A - 230V) + 2 poles mgt. + earth leak. br. (with IP 65 cover) + 1 breaker + voltmeter	139,00

Per accessori e sovrapprezzi fare riferimento alla tabella a pag.9 - For accessories and overprices please refer to table at page 9.

E1C11

Alternatori sincroni monofase senza spazzole a condensatore - 2 poli

Single-phase brushless synchronous alternators with capacitor - 2 poles

TIPO - TYPE	kVA (50Hz-3000 rpm)	kVA (60Hz-3600 rpm)	€
E1C11M B	10	12.5	535,00
E1C11M C	12	15	582,00

Quadri superiori - Accessories fixed on top cover

AET	1 presa CEE (32A - 230V) + 1 presa Schuko + 2 breakers + voltmetro 1 CEE socket (32A - 230V) + 1 Schuko socket + 2 breakers + voltmeter	53,00
AER	1 presa CEE (32A - 230V) + 1 presa CEE (16A - 230V) + 2 breakers + voltmetro 1 CEE socket (32A - 230V) + 1 CEE socket (16A - 230V) + 2 breakers + voltmeter	55,00
AEG	1 presa CEE (32A - 230V) + 1 presa CEE (16A - 230V) + mgt. bipolare (con protez. IP 65) + 1 breaker + voltmetro 1 CEE socket (32A - 230V) + 1 CEE socket (16A - 230V) + 2 poles mgt. (with IP 65 cover) + 1 breaker + voltmeter	81,00
AEV	1 presa CEE (32A - 230V) + 1 presa CEE (16A - 230V) + mgt. differ. bipol. (con protez. IP 65) + 1 breaker + voltmetro 1 CEE socket (32A - 230V) + 1 CEE socket (16A - 230V) + 2 poles mgt. + earth leak. br. (with IP 65 cover) + 1 breaker + voltmeter	139,00

E1C13/2

Alternatori sincroni monofase senza spazzole a condensatore - 2 poli

Single-phase brushless synchronous alternators with capacitor - 2 poles

TIPO - TYPE	kVA (50Hz-3000 rpm)	kVA (60Hz-3600 rpm)	€
E1C13M D/2	15	18	894,00
E1C13M E/2	18	22	984,00

Per accessori e sovrapprezzi fare riferimento alla tabella a pag.9 - For accessories and overprices please refer to table at page 9.



E1C11



E1C13

SPE - E1E

Alternatori sincroni monofase con spazzole e AVR - 2 poli

Single-phase synchronous alternators with brushes and AVR - 2 poles

TIPO - TYPE	kVA (50Hz-3000 rpm)	kVA (60Hz-3600 rpm)	€
SPE10M F	3.5	4.2	385,00
SPE10M G	4.5	5.4	407,00

Per i quadri fare riferimento ai modelli SP10 di pagina 4 (solo cuffia posteriore). - *For accessories please refer to SP10 models at page 4 (only rear cover).*

TIPO - TYPE	kVA (50Hz-3000 rpm)	kVA (60Hz-3600 rpm)	€
E1E10M H	6	7.2	461,00
E1E10M I	7	8.4	491,00
E1E10L L	8	9.75	534,00

Per i quadri fare riferimento ai modelli E1C10 di pagina 5. - *For accessories please refer to E1C10 models at page 5.*

TIPO - TYPE	kVA (50Hz-3000 rpm)	kVA (60Hz-3600 rpm)	€
E1E11M B	10	12	673,00

Per i quadri fare riferimento ai modelli E1C11 di pagina 6. - *For accessories please refer to E1C11 models at page 6.*

TIPO - TYPE	kVA (50Hz-3000 rpm)	kVA (60Hz-3600 rpm)	€
E1E13S C	13	15.6	846,00
E1E13M D	15	18	953,00
E1E13M E	18	21.5	1.034,00

Per accessori e sovrapprezzi fare riferimento alla tabella a pag.9 - *For accessories and overprices please refer to table at page 9.*



SPE10



E1E11

E1C13/4

Alternatori sincroni monofase senza spazzole a condensatore - 4 poli

Single-phase brushless synchronous alternators with capacitor - 4 poles

TIPO - TYPE	kVA (50Hz-1500 rpm)	kVA (60Hz-1800 rpm)	€
E1C13S A/4	5.5	7	692,00
E1C13S B/4	7	8.5	727,00
E1C13S C/4	8	9.75	797,00
E1C13S D/4	9	11	828,00
E1C13M E/4	11.5	14	951,00
E1C13M F/4	12.5	15	1.005,00

ALUMEN

Alternatori sincroni monofase senza spazzole a condensatore - 4 poli

Single-phase brushless synchronous alternators with capacitor - 4 poles

Con gabbia di smorzamento e cavi uscenti - *With damping cage and external cable extension*

TIPO - TYPE	kVA (50Hz-1500 rpm)	kVA (60Hz-1800 rpm)	€
ALUMEN SB	3.5	4.2	556,00
ALUMEN MD	5	6	650,00
ALUMEN LE	7	8	696,00
ALUMEN LF	8	10	756,00

Senza gabbia di smorzamento e cavi uscenti - *Without damping cage and external cable extension*

TIPO - TYPE	kVA (50Hz-1500 rpm)	kVA (60Hz-1800 rpm)	€
ALUMEN-X SB	3.5	4.2	541,00
ALUMEN-X MD	5	6	635,00
ALUMEN-X LE	7	8	681,00
ALUMEN-X LF	8	10	741,00

Accessori - Accessories

Cuffia superiore per condensatori e morsettiera - *Capacitor box and terminal board*

+6,00

SLS18

Alternatori sincroni monofasi senza spazzole con AVR - 4 poli

Single-phase brushless synchronous alternators with AVR - 4 poles

TIPO - TYPE	kVA (50Hz-1500 rpm)	kVA (60Hz-1800 rpm)	€
SLS18 MC	10	12	1.372,00
SLS18 MD	15	18	1.477,00

ACCESSORI E SOVRAPPREZZI PER ALTERNATORI MONOFASE
ACCESSORIES AND OVERPRICES FOR SINGLE-PHASE ALTERNATORS

	SP10	E1C10	E1C11	E1C13/2	SPE10	E1E10	E1E11	E1E13	E1C13/4	ALUMEN	SLS18
Tensione con avvolgimento speciale Voltage with special winding	+7%	+7%	+7%	+7%	+7%	+7%	+7%	+7%	+7%	+7%	+5%
Avvolgimento carica batteria isol.12Vdc- 12Vdc isolated battery charger winding	\	+9,00	+9,00	+12,00	\	+9,00	+9,00	+12,00	\	\	\
Protezione IP23 - IP23 protection	5,00	5,40	5,40	10,00	5,00	5,40	5,40	10,00	10,00	\	INCL.
Protezione IP44 (solo forma B9 e B14)- IP44 protection (only B9 and B14 form)	\	\	\	200,00	\	\	\	200,00	200,00	\	\
Forma B3/B14 - B3/B14 mounting form	\	+30,00	+33,00	+36,00	\	+30,00	+33,00	+36,00	+36,00	\	\
Flangia SAE 5 - SAE5 coupling flange	\	\	+73,00	+40,00	\	\	+73,00	+40,00	+40,00	INCL.	+38,00
Flangia SAE4 - SAE4 coupling flange	\	\	\	40,00	\	\	\	40,00	40,00	\	INCL.
Flangia SAE3 - SAE3 coupling flange	\	\	\	60,00	\	\	\	60,00	60,00	\	INCL.
Flangia std. Lombardini 561/625 - 561/625 Lombardini std. flange	\	\	\	38,00	\	\	\	38,00	38,00	\	\
Flangia per moltiplicatore - Gear box coupling flange	\	\	26,30	35,00	\	\	26,30	35,00	35,00	\	\
Moltiplicatore con protezione e flangia di accoppiamento - Gear box with protection and coupling flange	\	\	360,00	380,00	\	\	360,00	380,00	400,00	\	\
Impregnazione per ambiente marino - Impregnation for marine environment	30,00	30,00	30,00	38,00	30,00	30,00	30,00	38,00	38,00	38,00	50,00
Resina polibutadienica - Polybutadiene compound	\	\	\	\	\	\	\	\	\	\	100,00
Filtro anti-disturbo radio - EMI filter	\	\	\	\	\	\	\	\	\	\	20,00
Imballo singolo - Single packing	3,20	3,20	3,20	\	3,20	3,20	3,20	\	\	3,20	\



ALUMEN



SLS18

E1S10

Alternatori sincroni trifase con spazzole e regolazione compound - 2 poli

Three-phase synchronous alternators with brushes and compound regulation - 2 poles

TIPO - TYPE	kVA (50Hz-3000 rpm)	kVA (60Hz-3600 rpm)	€
E1S10M G	5.5	7	471,00
E1S10M H	7	8.5	502,00
E1S10M I	9	11	538,00
E1S10L L	10	12.5	582,00

Quadri posteriori standard - Accessories fixed on standard end cover

AAJ	1 presa CEE 5p. (16A - 400V) + 1 presa Schuko + 1 breaker - 1 CEE 5p. socket (16A - 400V) + 1 Schuko socket + 1 breaker	26,40
AAP	1 presa CEE 5p. (16A - 400V) + 1 presa CEE (16A - 230V) + 1 breaker 1 CEE 5p. socket (16A - 400V) + 1 CEE socket (16A - 230V) + 1 breaker	30,60

E1S11

Alternatori sincroni trifase con spazzole e regolazione compound - 2 poli

Three-phase synchronous alternators with brushes and compound regulation - 2 poles

TIPO - TYPE	kVA (50Hz-3000 rpm)	kVA (60Hz-3600 rpm)	€
E1S11M AS	11.5	14	643,00
E1S11M B	13.5	16.5	696,00

Quadri superiori standard (E1S10 - E1S11) - Accessories fixed on standard top cover (E1S10-E1S11)

AED	1 presa CEE 5p. (16A - 400V) + 1 presa Schuko + mgt. tripol. (con protez. IP65) + voltmetro + breaker (a partire da 9kVA) 1 CEE 5p. socket (16A - 400V) + 1 Schuko socket + 3 poles mgt. (with IP65 cover) + voltmeter + breaker (from 9kVA)	94,00
AEC	1 presa CEE 5p. (16A - 400V) + 1 presa CEE (16A-230V) + mgt. tripol. (con protez. IP65) + voltmetro+ breaker (a partire da 9kVA) 1 CEE 5p. socket (16A - 400V) + 1 CEE socket (16A-230V) + 3 poles mgt. (with IP65 cover) + voltmeter + breaker (from 9kVA)	96,00
AEX	1 presa CEE 5p. (16A - 400V) + 1 presa CEE (16A - 230V) + mgt. tripol. (con protez. IP65) + differenziale quadrip. (con protez. IP65) + voltmetro + breaker (a partire da 9kva) - 1 CEE 5p. socket (16A - 400V) + 1 CEE socket (16A - 230V) + 3 poles mgt. (with IP65 cover) + 4p. earth leakage breaker (with IP65 cover) + voltmeter + breaker (from 9kVA)	194,00

Per accessori e sovrapprezzi fare riferimento alla tabella a pag.14 - For accessories and overprices please refer to table at page 14



E1S13/2

Alternatori sincroni trifase con spazzole e regolazione compound - 2poli

Three-phase synchronous alternators with brushes and compound regulation - 2 poles

TIPO - TYPE	kVA (50Hz-3000 rpm)	kVA (60Hz-3600 rpm)	€
E1S13S C/2	16	19.2	887,00
E1S13M D/2	22	26.4	1.014,00
E1S13M E/2	27	32.4	1.089,00

Quadri superiori standard (solo per 16 kVA) - Accessories fixed on standard top cover (only for 16 kVA)

AEP	1 presa CEE 5p. (32A - 400V) + 1 presa CEE (16A - 230V) + breaker + mgt. quadrip. + prot. IP 65 (per mgt.) + voltmetro 1 CEE 5p. socket (32A - 400V) + 1 CEE socket (16A - 230V) + breaker + 4p. mgt. + IP 65 cover (for mgt.) + voltmeter	150,00
-----	---	--------

E1X13/2

Alternatori sincroni trifase senza spazzole con AVR - 2 poli

Three-phase brushless synchronous alternators with AVR - 2 poles

TIPO - TYPE	kVA (50Hz-3000 rpm)	kVA (60Hz-3600 rpm)	€
E1X13S A/2	8	10	984,00
E1X13S B/2	10	12.5	1.019,00
E1X13S C/2	12.5	15	1.042,00
E1X13M D/2	16	19.5	1.160,00
E1X13M E/2	22	26	1.248,00

Serie E1X KE (con compound + AVR) - E1X KE Series (with compound + AVR) + 120,00

Quadri superiori in lamiera con antivibranti (E1S13/2 - E1X13/2) - Accessories fixed on top steel cover with vibration dampers (E1S13/2 - E1X13/2)

AQH	1 presa CEE 5p. (16A - 400 V per E1S13S e E1X13S) (32A - 400 V per E1S13M e E1X13M) + 1 presa CEE (16A - 230 V) + mgt. tripol. + mgt. bipol. + prot. IP 65 (per mgt.) + voltmetro e frequenzimetro (72 x 72) + amperometro (72 x 72) 1 CEE 5p. socket (16A - 400 V for E1X13S/2 e 32A - 400 V for E1X13M/2)+ 1 CEE socket (16A - 230V) + 3p. mgt. + 2p. mgt. + IP65 cover (for mgt.) + voltmeter and frequencymeter (72 x72) + amperometer (72 x 72)	225,00
	+ differenziale (con prot. IP65) - + earth leakage breaker (with IP 65 cover)	+70,00

Per accessori e sovrapprezzi fare riferimento alla tabella a pag.14 - For accessories and overprices please refer to table at page 14



E1S13



E1S13

E1S10 KE

Alternatori sincroni trifase con spazzole e regolazione mista (compound ed AVR) - 2 poli
Three-phase synchronous alternators with brushes and mixed regulation (compound and AVR) - 2 poles

TIPO - TYPE	kVA (50Hz-3000 rpm)	kVA (60Hz-3600 rpm)	€
E1S10M G KE	4.5	5.4	552,00
E1S10M H KE	5.5	7	582,00
E1S10M I KE	7	8.5	615,00
E1S10L L KE	9	11	658,00

Quadri posteriori standard - Accessories fixed on standard end cover

AAJ	1 presa CEE 5p. (16A - 400V) + 1 presa Schuko + 1 breaker - 1 CEE 5p. socket (16A - 400V) + 1 Schuko socket + 1 breaker	26,40
AAP	1 presa CEE 5p. (16A - 400V) + 1 presa CEE (16A - 230V) + 1 breaker 1 CEE 5p. socket (16A - 400V) + 1 CEE socket (16A - 230V) + 1 breaker	30,60

E1S11 KE

Alternatori sincroni trifase con spazzole e regolazione mista (compound ed AVR) - 2 poli
Three-phase synchronous alternators with brushes and mixed regulation (compound and AVR) - 2 poles

TIPO - TYPE	kVA (50Hz-3000 rpm)	kVA (60Hz-3600 rpm)	€
E1S11M AS KE	10	12.5	726,00
E1S11M B KE	11.5	14	789,00

Quadri superiori standard (E1S10-KE - E1S11-KE) - Accessories fixed on standard top cover (E1S10-KE - E1S11-KE)

AGK	1 presa CEE 5p. (16A - 400V) + 1 presa Schuko + mgt. tripol. (con protez. IP65) + voltmetro + breaker (a partire da 9kVA) 1 CEE 5p. socket (16A - 400V) + 1 Schuko socket + 3 poles mgt. (with IP65 cover) + voltmeter + breaker (from 9kVA)	94,00
AGX	1 presa CEE 5p. (16A - 400V) + 1 presa CEE (16A-230V) + mgt. tripol. (con protez. IP65) + voltmetro+ breaker (a partire da 9kVA) 1 CEE 5p. socket (16A - 400V) + 1 CEE socket (16A-230V) + 3 poles mgt. (with IP65 cover) + voltmeter + breaker (from 9kVA)	96,00
AGY	1 presa CEE 5p. (16A - 400V) + 1 presa CEE (16A - 230V) + mgt. tripol. (con protez. IP65) + differenziale quadrip. (con protez. IP65) + voltmetro + breaker (a partire da 9kVA) - 1 CEE 5p. socket (16A - 400V) + 1 CEE socket (16A - 230V) + 3 poles mgt. (with IP65 cover) + 4p. earth leakage breaker (with IP65 cover) + voltmeter + breaker (from 9kVA)	194,00

Per accessori e sovrapprezzi fare riferimento alla tabella a pag.14 - For accessories and overprices please refer to table at page 14

E1S11



E1S13/4

Alternatori sincroni trifase con spazzole e regolazione compound - 4 poli

Three-phase synchronous alternators with brushes and compound regulation - 4 poles

TIPO - TYPE	kVA (50Hz-1500 rpm)	kVA (60Hz-1800 rpm)	€
E1S13S A/4	8	9.6	850,00
E1S13S B/4	10	12	899,00
E1S13M D/4	13	16	1.007,00
E1S13M E/4	16	19	1.104,00
E1S13M F/4	20	24	1.177,00

E1X13/4

Alternatori sincroni trifase senza spazzole con AVR - 4 poli

Three-phase brushless synchronous alternators with AVR - 4 poles

TIPO - TYPE	kVA (50Hz-1500 rpm)	kVA (60Hz-1800 rpm)	€
E1X13S A/4	6.5	8	1.030,00
E1X13S B/4	8	10	1.077,00
E1X13S C/4	10	12	1.116,00
E1X13M E/4	14	17	1.262,00
E1X13M F/4	16	19	1.287,00

Serie E1X KE (con compound + AVR) - E1X KE Series (with compound + AVR)

+ 120,00

Quadri superiori in lamiera con antivibranti (E1S13/4 - E1X13/4) - Accessories fixed on top steel cover with vibration dampers (E1S13/4 - E1X13/4)

AQH	1 presa CEE 5p. (16A- 400V per E1S13S-E1X13S) (32A- 400V per E1S13M-E1X13M) + 1 presa CEE (16A - 230V) + mgt. tripol. + mgt. bipol.+ protez. IP65 (per i magnetotermici) + voltmetro e frequenzimetro (72x72) + amperometro (72 x 72)	225,00
	1 CEE 5p. socket (16A-400V for E1S13S-E1X13S) (32A-400V for E1S13M-E1X13M)+ 1 CEE socket (16A - 230V) + 3p. mgt. + 2p. mgt. + IP65 cover (for magnetothermic switches) + voltmeter and frequencymeter (72x72) + amperometer (72 x 72)	
	+ differenziale (con prot. IP65) - + earth leakage breaker (with IP 65 cover)	+70,00

Per accessori e sovrapprezzi fare riferimento alla tabella a pag.14 - For accessories and overprices please refer to table at page 14



E1S13



E1X13

ACCESSORI E SOVRAPPREZZI PER ALTERNATORI TRIFASE SERIE E1
ACCESSORIES AND OVERPRICES FOR THREE-PHASE ALTERNATORS E1 SERIES

	E1S10	E1S11	E1S13/2	E1X13/2	E1S10-KE	E1S11-KE	E1S13/4	E1X13/4
Tensione con avvolgimento speciale Voltage with special winding	+7%	+7%	+7%	+7%	+7%	+7%	+7%	+7%
Avvolgimento carica batteria isol.12Vdc- 12Vdc isolated battery charger winding	+9,00	+9,00	\	\	+9,00	+9,00	\	\
Protezione IP23 - IP23 protection	5,40	5,40	10,00	10,00	5,40	5,40	10,00	10,00
Protezione IP44 (forma B9 e B14)- IP44 protection (B9 and B14 form)	\	\	200,00	200,00	\	\	200,00	200,00
Forma B3/B14 - B3/B14 mounting form	+30,00	+33,00	+36,00	+36,00	+30,00	+33,00	+36,00	+36,00
Flangia SAE 5 - SAE5 coupling flange	\	+73,00	+40,00	+40,00	\	+73,00	+40,00	+40,00
Flangia SAE4 - SAE4 coupling flange	\	\	+40,00	+40,00	\	\	+40,00	+40,00
Flangia SAE3 - SAE3 coupling flange	\	\	+60,00	+60,00	\	\	+60,00	+60,00
Flangia std. Lombardini 561/625 - 561/625 Lombardini std. flange	\	\	+38,00	+38,00	\	\	+38,00	+38,00
Flangia per moltiplicatore - Gear box coupling flange	\	26,30	35,00	35,00	\	26,30	35,00	35,00
Moltiplicatore con protezione e flangia di accoppiamento - Gear box with protection and coupling flange	\	360,00	380,00	380,00	\	360,00	400,00	400,00
Impregnazione per ambiente marino - Impregnation for marine environment	30,00	30,00	38,00	38,00	30,00	30,00	38,00	38,00
Imballo singolo - Single packing	3,20	3,20	\	\	3,20	3,20	\	\

SLT18

Alternatori sincroni trifase senza spazzole con AVR - 4 poli

Three-phase brushless synchronous alternators with AVR - 4 poles

TIPO - TYPE	kVA (50Hz-1500 rpm)	kVA (60Hz-1800 rpm)	€
SLT18 MC	15	18	1.419,00
SLT18 MD	20	24	1.525,00

PRO18

Alternatori sincroni trifase senza spazzole con AVR - 4 poli

Three-phase brushless synchronous alternators with AVR - 4 poles

TIPO - TYPE	kVA (50Hz-1500 rpm)	kVA (60Hz-1800 rpm)	€
PRO18S A/4	20	24	1.600,00
PRO18S B/4	25	30	1.696,00
PRO18S C/4	30	36	1.784,00
PRO18M D/4	35	42	1.930,00
PRO18M E/4	42	50	2.089,00
PRO18L F/4	50	60	2.411,00
PRO18L G/4	60	72	2.581,00

Quadro superiore in lamiera con antivibranti per PRO18 fino a 42kva - Accessories fixed on top steel cover with vibration dampers for PRO18 up to 42kva

1 presa CEE 5p. (63A-400V) + 1 presa CEE (32A - 230V) + mgt. tripol. + mgt. bipol. + differenziale + protez. IP65 (per i magnetotermici e il differenziale) + voltmetro e frequenzimetro (72x72) + connettore remoto per voltmetro e frequenzimetro + amperometro.

APA 1 CEE 5p. socket (63A-400V) + 1 CEE socket (32A - 230V) + 3p. mgt. + 2p. mgt. + earth leakage breaker + IP65 cover (for magnetothermal switches and earth leakage breaker) + voltmeter and frequencymeter (72x72) + remote control connector for voltmeter and frequencymeter + amperometer. **670,00**

PRO22

Alternatori sincroni trifase senza spazzole con AVR - 4 poli

Three-phase brushless synchronous alternators with AVR - 4 poles

TIPO - TYPE	kVA (50Hz-1500 rpm)	kVA (60Hz-1800 rpm)	€
PRO22S A/4	63	76	2.897,00
PRO22S B/4	75	90	3.150,00
PRO22S C/4	85	102	3.409,00
PRO22S D/4	100	120	3.671,00
PRO22M E/4	130	156	4.185,00
PRO22M F/4	150	180	4.502,00
PRO22M G/4 *	160	192	4.760,00

Per accessori e sovrapprezzi fare riferimento alla tabella a pag.17 - For accessories and overprices please refer to table at page 17

* avvolgimento a 6 fili - 6 wires winding

PRO28

Alternatori sincroni trifase senza spazzole con AVR - 4 poli

Three-phase brushless synchronous alternators with AVR - 4 poles

TIPO - TYPE	kVA (50Hz-1500 rpm)	kVA (60Hz-1800 rpm)	€
PRO28S A/4	180	215	5.460,00
PRO28S B/4	200	240	5.601,00
PRO28S C/4	225	270	6.011,00
PRO28S D/4	250	300	6.544,00
PRO28M E/4	300	360	7.377,00
PRO28M F/4	350	420	8.190,00
PRO28L G/4 *	400	480	9.156,00

PRO35

Alternatori sincroni trifase senza spazzole con AVR - 4 poli

Three-phase brushless synchronous alternators with AVR - 4 poles

TIPO - TYPE	kVA (50Hz-1500 rpm)	kVA (60Hz-1800 rpm)	€
PRO35S B/4	450	540	11.685,00
PRO35S C/4 *	500	600	12.134,00
PRO35S D/4	550	660	13.065,00
PRO35M E/4 *	600	720	13.776,00
PRO35M F/4 *	670	804	14.256,00
PRO35M G/4	725	870	15.789,00
PRO35L H/4 *	800	960	17.325,00

PRO40

Alternatori sincroni trifase senza spazzole con AVR - 4 poli

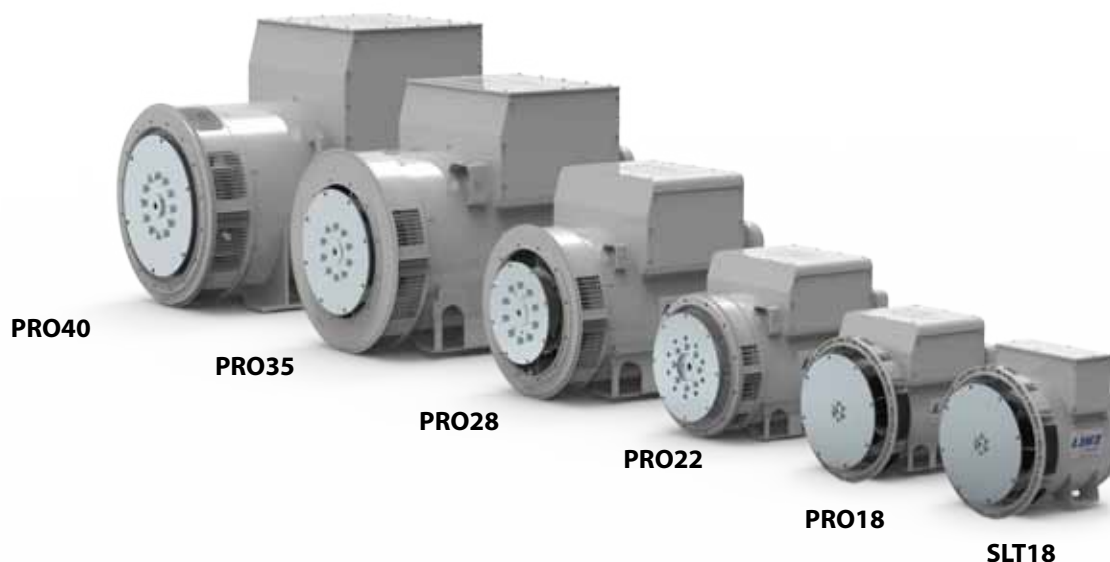
Three-phase brushless synchronous alternators with AVR - 4 poles

TIPO - TYPE	kVA (50Hz-1500 rpm)	kVA (60Hz-1800 rpm)	€
PRO40S A/4	930	1.116	21.000,00
PRO40S B/4	1.050	1.260	21.600,00
PRO40M C/4	1.150	1.400	23.200,00
PRO40M D/4	1.350	1.620	26.800,00
PRO40L E/4	1.500	1.800	33.800,00

Per accessori e sovrapprezzi fare riferimento alla tabella a pag.17 - *For accessories and overprices please refer to table at page 17*

ACCESSORI E SOVRAPPREZZI PER ALTERNATORI TRIFASE SERIE PRO
ACCESSORIES AND OVERPRICES FOR THREE-PHASE ALTERNATORS PRO SERIES

	SLT18	PRO18	PRO22	PRO28	PRO35	PRO40
Tensione con avvolgimento speciale - Voltage with special winding	+5%	+5%	+5%	+5%	+5%	+5%
Protezione IP23 - IP23 protection	INCL.	INCL.	INCL.	INCL.	INCL.	INCL.
Protezione IP44 (forma B14) - IP44 protection (B14 form)	\	230,00	\	\	\	\
Flangia SAE5 - SAE5 coupling flange	+38,00	+38,00	\	\	\	\
Forma B3/B14 - B3/B14 mounting form	\	+90,00	+180,00	+250,00	+340,00	+540,00
Moltiplicatore fino a 42kVA - Gear box up to 42kVA	\	560,00	\	\	\	\
Moltiplicatore fino a 60kVA - Gear box up to 60kVA	\	700,00	\	\	\	\
Moltiplicatore fino a 85kVA - Gear box up to 85kVA	\	\	880,00	\	\	\
Moltiplicatore fino a 130kVA - Gear box up to 130kVA	\	\	2640,00	\	\	\
Impregnazione per ambiente marino - Impregnation for marine environment	50,00	60,00	90,00	120,00	INCL.	INCL.
Resina polibutadienica - Polybutadiene compound	100,00	100,00	150,00	250,00	340,00	450,00
Filtro anti-disturbo radio - EMI filter	20,00	20,00	20,00	20,00	INCL.	INCL.
Regolatore HVR30 (rif.trifase) - HVR30 regulator (three-phase sensing)	\	+60,00	+60,00	INCL.	INCL.	INCL.
Dispositivo di parallelo - Device for parallel operations	\	160,00	160,00	160,00	INCL.	INCL.
Scaldiglie anticondensa - Anticondensation heaters	100,00	100,00	100,00	100,00	100,00	100,00
Protettori termici bimetallici per avvolgimenti - Bimetallic thermal protection for windings	40,00	40,00	40,00	40,00	INCL.	INCL.
Protettori termici PT100 per avvolgimenti - PT100 Thermal protection for windings	94,00	94,00	94,00	94,00	94,00	94,00
Protettori termici PT100 per cuscinetti - PT100 thermal protection for bearings	134,00	134,00	134,00	134,00	134,00	134,00
PMG	\	\	\	980,00	1090,00	1200,00



SPW10

Saldatrici AC / alternatori monofase senza spazzole a condensatore - 2 poli

AC welders / single-phase brushless alternators with capacitor - 2 poles

ALTERNATORE - ALTERNATOR		SALDATRICE - WELDER		
TIPO - TYPE	kVA (50Hz)	A. MAX 40% C.A./AC	A. MAX 60% C.A./AC	€
SPW10 120AC	3.5	120	75	497,00

Quadri posteriori standard - Accessories fixed on standard end cover

RAD	2 prese Schuko + 1 breaker - 2 Schuko sockets + 1 breaker			13,00
RAK	1 presa CEE (16A - 230V) + 1 presa Schuko + 1 breaker - 1 CEE socket (16A - 230V) + 1 Schuko socket + 1 breaker			16,30

E1W AC

Saldatrici AC / alternatori monofase senza spazzole a condensatore - 2 poli

AC welders / single-phase brushless alternators with capacitor - 2 poles

ALTERNATORE - ALTERNATOR		SALDATRICE - WELDER		
TIPO - TYPE	kVA (50Hz)	A. MAX 35% C.A./AC	A. MAX 60% C.A./AC	€
E1W10 150AC	4	150	120	608,00

Quadri posteriori standard - Accessories fixed on standard end cover

AAD	2 prese Schuko + 1 breaker - 2 Schuko sockets + 1 breaker			16,60
AAK	1 presa CEE (16A - 230V) + 1 presa Schuko + 1 breaker - 1 CEE socket (16A - 230V) + 1 Schuko socket + 1 breaker			19,20

TIPO - TYPE	kVA (50Hz)	A. MAX 35% C.A./AC	A. MAX 60% C.A./AC	€
E1W10 200AC	6	200	160	639,00

Quadri posteriori standard - Accessories fixed on standard end cover

AAN	2 prese Schuko + 2 breakers - 2 Schuko sockets + 2 breakers			20,00
AAO	1 presa CEE (16A - 230V) + 1 presa Schuko + 2 breakers - 1 CEE socket (16A - 230V) + 1 Schuko socket + 2 breakers			22,40

TIPO - TYPE	kVA (50Hz)	A. MAX 35% C.A./AC	A. MAX 60% C.A./AC	€
E1W11 220AC	10	220	180	892,00

La serie E1W11 220AC è dotata di quadro in lamiera e una presa CEE monofase da 32A, una presa schuko e due breakers di serie.

The E1W11 220AC series is provided as a standard with a steel control panel equipped with one single-phase 32A CEE socket, one schuko socket, and two breakers.

Per accessori e sovrapprezzi fare riferimento alla tabella a pag.21 - For accessories and overprices please refer to table at page 21

E2W10 DC

Saldatrici DC / alternatori monofase o trifase - 2 poli

DC welders / single-phase or three-phase alternators - 2 poles

ALTERNATORE - ALTERNATOR

SALDATRICE - WELDER

TIPO - TYPE	kVA (50Hz)		A. MAX 40%	A. MAX 60%	€
	1~ (230 V)	3~ (400 V)	C.C./D.C.	C.C./D.C.	
E2W10 180MDC	3	/	180	135	868,00
E2W10 220MDC	5	/	220	170	957,00

Quadri posteriori standard - Accessories fixed on standard end cover

AAD	2 prese Schuko + 1 breaker - 2 Schuko sockets + 1 breaker	16,60
AAK	1 presa CEE (16A - 230V) + 1 presa Schuko + 1 breaker - 1 CEE socket (16A - 230V) + 1 Schuko socket + 1 breaker	19,20

TIPO - TYPE	kVA (50Hz)		A. MAX 40%	A. MAX 60%	€
	1~ (230 V)	3~ (400 V)	C.C./D.C.	C.C./D.C.	
E2W10 180DC	2	4.5	180	135	868,00
E2W10 220DC	3	6.5	220	170	957,00

Quadri posteriori standard - Accessories fixed on standard end cover

A AJ	1 presa CEE 5p. (16A - 400V) + 1 presa Schuko + 1 breaker - 1 CEE 5p. socket (16A - 400V) + 1 Schuko socket + 1 breaker	26,40
A AP	1 presa CEE 5p. (16A - 400V) + 1 presa CEE (16A - 230V) + 1 breaker - 1 CEE 5p. socket (16A - 400V) + 1 CEE socket (16A - 230V) + 1 breaker	30,60

E2W10 DC-K

Saldatrici DC / alternatori trifase con spazzole e compound - 2 poli

DC welders / three-phase alternators with brushes and compound - 2 poles

ALTERNATORE - ALTERNATOR

SALDATRICE - WELDER

TIPO - TYPE	kVA (50Hz)		A. MAX 40%	A. MAX 60%	€
	1~ (230 V)	3~ (400 V)	C.C./D.C.	C.C./D.C.	
E2W10 220DC-K	4	9	220	170	998,00

Quadri posteriori standard - Accessories fixed on standard end cover

A AJ	1 presa CEE 5p. (16A - 400V) + 1 presa Schuko + 1 breaker - 1 CEE 5p. socket (16A - 400V) + 1 Schuko socket + 1 breaker	26,40
A AP	1 presa CEE 5p. (16A - 400V) + 1 presa CEE (16A - 230V) + 1 breaker - 1 CEE 5p. socket (16A - 400V) + 1 CEE socket (16A - 230V) + 1 breaker	30,60

Per accessori e sovrapprezzi fare riferimento alla tabella a pag.21 - For accessories and overprices please refer to table at page 21

E2W13/2 DC-K

Saldatrici DC / alternatori trifase con spazzole e compound - 2 poli

DC welders / three-phase alternators with brushes and compound - 2 poles

TIPO - TYPE	ALTERNATORE - ALTERNATOR		SALDATRICE - WELDER		€
	kVA (50Hz)		A. MAX 40%	A. MAX 60%	
	1~ (230 V)	3~ (400 V)	C.C./D.C.	C.C./D.C.	
E2W13S/2 300DC-K	4.5	10	300	240	1.747,00

Quadro superiore standard con antivibranti - Accessories fixed on standard top cover with vibration dampers

La macchina presenta di serie interruttore magnetotermico trifase, presa trifase CEE 5p., presa monofase CEE 3p.

This machine is provided, as standard, with a three-phase magnetothermic switch, 5p. CEE three-phase socket, 3p. CEE single-phase socket.

E1W13/2 DC

Saldatrici DC/ alternatori trifase senza spazzole con AVR - 2 poli

DC welders / three-phase brushless alternators with AVR - 2poles

TIPO - TYPE	ALTERNATORE - ALTERNATOR		SALDATRICE - WELDER		€
	kVA (50Hz)		A. MAX 35%	A. MAX 60%	
	1~ (230 V)	3~ (400 V)	C.C./D.C.	C.C./D.C.	
E1W13S/2 300DC	4	8.5	300	240	1.958,00

Quadro superiore standard con antivibranti - Accessories fixed on standard top cover with vibration dampers

La macchina presenta di serie interruttore magnetotermico trifase, presa trifase CEE 5p., presa monofase CEE 3p., connettore per potenziometro remoto.

This machine is provided, as standard, with a three-phase magnetothermic switch, 5p. CEE three-phase socket, 3p. CEE single-phase socket and remote potentiometer connector.

E1W13/4 DC

Saldatrici DC/ alternatori trifase senza spazzole con AVR - 4 poli

DC welders / three-phase brushless alternators with AVR - 4 poles

TIPO - TYPE	ALTERNATORE - ALTERNATOR		SALDATRICE - WELDER		€
	kVA (50Hz-1500 rpm)		A. MAX 35%	A. MAX 60%	
	1~ (230 V)	3~ (400 V)	C.C./D.C.	C.C./D.C.	
E1W13S/4 200DC	3	7	200	160	2.106,00
E1W13M/4 250DC	4.5	11	250	195	2.262,00
E1W13M/4 300DC	3.5	8	300	230	2.334,00

Quadro superiore standard con antivibranti - Accessories fixed on standard top cover with vibration dampers

La macchina presenta di serie interruttore magnetotermico trifase, presa trifase CEE 5p., presa monofase CEE 3p., connettore per potenziometro remoto.

This machine is provided, as standard, with a three-phase magnetothermic switch, 5p. CEE three-phase socket, 3p. CEE single-phase socket and remote potentiometer connector.

+ differenziale (con prot. IP65) - + earth leakage breaker (with IP 65 cover) **+ 70,00**

+ potenziometro remoto con cavo da 10m - + remote potentiometer with 10m cable **+ 96,00**

PROW18

Saldatrici DC / alternatori trifase senza spazzole con AVR - 4 poli

DC welders / three-phase brushless alternators with AVR - 4 poles

ALTERNATORE - ALTERNATOR

SALDATRICE - WELDER

TIPO - TYPE	kVA (50Hz)		A. MAX 35%	A. MAX 60%	€
	1~ (230 V)	3~ (400 V)	C.C./D.C.	C.C./D.C.	
PROW18 400DC	5	13	400	310	4.447,00
PROW18 500DC	6.5	16	500	390	4.651,00

La macchina presenta di serie interruttore magnetotermico trifase, presa trifase CEE 5p., presa monofase CEE 3p., connettore per potenziometro remoto.
This machine is provided, as standard, with a three-phase magnetothermic switch, 5p. CEE three-phase socket, 3p. CEE single-phase socket and remote potentiometer connector.

+ differenziale (con prot. IP65) - + earth leakage breaker (with IP 65 cover) **+ 70,00**

+ potenziometro remoto con cavo da 10m - + remote potentiometer with 10m cable **+ 96,00**

ACCESSORI E SOVRAPPREZZI PER ALTERNATORI/SALDATRICE

ACCESSORIES AND OVERPRICES FOR WELDERS/ALTERNATORS

	SPW10	E1W10	E2W10	E1W11	E1W13/2	E1W13/4	PROW18
Tensione con avvolgimento speciale - Voltage with special winding	+7%	+7%	+7%	+7%	+7%	+7%	+5%
Protezione IP23 - IP23 protection	5,00	5,40	5,40	5,40	10,00	10,00	INCL.
Protezione IP44 (forma B9 e B14) - IP44 protection (B9 and B14 form)	\	\	\	\	200,00	200,00	230,00
Forma B3/B14 - B3/B14 mounting form	\	+30,00	+30,00	+33,00	+36,00	+36,00	+90,00
Flangia SAE 5 - SAE5 coupling flange	\	\	\	73,00	40,00	40,00	INCL.
Flangia SAE4 - SAE4 coupling flange	\	\	\	\	40,00	40,00	INCL.
Flangia SAE3 - SAE3 coupling flange	\	\	\	\	60,00	60,00	INCL.
Flangia std. Lombardini 561/625 - 561/625 Lombardini std. flange	\	\	\	\	38,00	38,00	INCL.
Flangia per moltiplicatore - Gear box coupling flange	\	\	\	26,30	35,00	35,00	\
Moltiplicatore con protezione e flangia di accoppiamento - Gear box with protection and coupling flange	\	\	\	360,00	380,00	400,00	560,00
Impregnazione per ambiente marino - Impregnation for marine environment	30,00	30,00	30,00	30,00	38,00	38,00	120,00
Imballo singolo - Single packing	3,20	3,20	3,20	3,20	\	\	\



E2W10



E1W13



PROW

REGOLATORI ELETTRONICI DI TENSIONE - AUTOMATIC VOLTAGE REGULATORS (AVR)		€
HVR 10	- HVR 10	116,00
HVR 11 con riferimento monofase	- HVR 11 single-phase sensing	153,00
HVR 30 con riferimento trifase	- HVR 30 three-phase sensing	210,00



HVR10



HVR11



HVR30

POMPE PERIFERICHE PER GASOLIO (0,37 kW, fino a 40 l/min) PERIPHERAL PUMPS FOR DIESEL (0,37 kW, max. flow rate 40 l/min.)		€
Gm 50 monofase 230 V 50 Hz	- Gm 50 single-phase 230 V 50 Hz	160,00
G 50 trifase 230/400 V 50 Hz	- G 50 three-phase 230/400 V 50 Hz	165,00



Gm50

ADATTATORI E KIT TRASFORMAZIONE - ADAPTOR KITS		€
Riduttore C.30-C.23 per H100, H112 (con bussola e tirante) <i>C.30-C.23 Adaptor for H100,H112 (with tie bolt and bush)</i>		7,20
Riduttore J609b - C.23 per H100 (con flangia e tirante) <i>J609b - C.23 adaptor for H100 (with flange and tie bolt)</i>		27,40
Riduttore J609a - C.23 per H100 (con flangia e tirante) <i>J609a - C.23 adaptor for H100 (with flange and tie bolt)</i>		27,40
Riduttore J609b - J609a per H100 (con flangia e tirante) <i>J609b - J609a adaptor for H100 (with flange and tie bolt)</i>		19,60
Kit trasformazione J609b - B14 per H100 (con cuscinetto, flangia e albero) <i>Adapting kit J609b - B14 for H100 (with bearing, flange and shaft)</i>		42,00
Kit trasformazione J609b - B14 per H112 (con cuscinetto, flangia e albero) <i>Adapting kit J609b - B14 for H112 (with bearing, flange and shaft)</i>		51,80
Kit trasformazione J609b - B14 per H132 (con cuscinetto, flangia e albero) <i>Adapting kit J609b - B14 for H132 (with bearing, flange and shaft)</i>		69,00

COMPONENTI PER QUADRI ELETTRICI - ELECTRICAL COMPONENTS FOR PANELS		€
Presa Schuko 16A 3P 230V IP54 (38X38)	- Schuko socket 3P 16A 230V IP54 (38X38)	3,20
Presa Schuko 16A 3P 250V IP54 (65X85)	- Schuko socket 3P 16A 250V IP54 (65X85)	6,10
Presa CEE 16A 3P 230V IP44 Blu	- CEE socket 16A 3P 230V IP44 Blue	6,20
Presa CEE 16A 5P 400V IP44 Rossa	- CEE socket 16A 5P 400V IP44 Red	9,10
Presa CEE 32A 3P 230V IP44 Blu	- CEE socket 32A 3P 230V IP44 Blue	11,60
Presa CEE 32A 5P 400V IP44 Rossa	- CEE socket 32A 5P 400V IP44 Red	14,40
Presa CEE 63A 5P 400V IP67 Rossa	- CEE socket 63A 5P 400V IP67 Red	58,60
Voltmetro 240 Monofase a led verticale	- Single-phase vertical leds voltmeter	14,30
Voltmetro 440 Trifase a led verticale	- Three-phase vertical leds voltmeter	14,30
Contaore 30F 230V 50Hz 36x24	- Hour counter 30F 230V 50Hz 36x24	17,20
Voltmetro e frequenzimetro 72x72 440V	- Voltmeter and frequencymeter 72x72 440V	52,70
Amperometro analogico A.C 40A	- Analogic amperometer A.C 40A	17,00
Interruttore termico con cappuccio disponibili da 7A a 30A (specificare amperaggio)	- Breaker with plastic cap available from 7A to 30A (specify Ampère)	4,00
Magnetotermico tripolare disponibile da 10A a 32A (specificare amperaggio)	- 3P magnetothermic switch from 10A to 32A (specify Ampère)	28,00
Magnetotermico tripolare 40A	- 3P magnetothermic switch 40A	38,20
Magnetotermico bipolare disponibile da 25A e 32A	- 2P magnetothermic switch 25A and 32A	16,80
Magnetotermico bipolare disponibile da 40A e 50A	- 2P magnetothermic switch 40A and 50A	28,00
Differenziale 2P disponibile da 25A e 32A	- 2P Earth leakage breaker 25A and 32A	41,00
Differenziale 2P 40A	- 2P Earth leakage breaker 40A	60,70
Differenziale 4P da 25A e 40A	- 4P Earth leakage breaker 25A and 40A	73,00
Differenziale- magnetotermico disponibile da 10A a 40A (specificare amperaggio)	- Earth leakage breaker - magnetothermic switch from 10A to 40A (specify Ampère)	54,00

CONDIZIONI GENERALI DI VENDITA

Accettazione ordini

Gli ordini devono indicare la denominazione, la potenza, la forma costruttiva, le caratteristiche, eventuali accessori e specialità dei prodotti ordinati. Gli ordini si intendono fermi e impegnativi solo dal momento dell'emissione della conferma d'ordine scritta da parte della LINZ ELECTRIC S.p.A.

Prezzi

I prezzi non includono l'I.V.A. e non sono concessi arrotondamenti e deduzioni se non espressamente autorizzati. Il presente listino annulla e sostituisce i precedenti. La LINZ ELECTRIC S.p.A. si riserva la facoltà di modificare il presente listino in qualsiasi momento.

Imballo

I prezzi del presente listino si intendono comprensivi di un imballo standard che la LINZ ELECTRIC S.p.A. ha previsto relativamente ai vari modelli nonché ai quantitativi di spedizione. Qualsiasi forma di imballo richiesta, diversa dallo standard sarà addebitata in fattura.

Spedizione

Eventuali danni, ammanchi o manomissioni del materiale ricevuto devono essere notificati tempestivamente e direttamente dal destinatario al Vettore e alla Linz Electric S.p.A. Vengono considerati i reclami relativi a scambi di modelli o a differenze di quantità se presentati per iscritto entro 8 giorni dalla data di ricevimento della merce.

Consegna

I termini di consegna si intendono indicativi, anche se stabiliti da una conferma d'ordine e pur venendo da noi rispettati per quanto possibile. Il committente non potrà reclamare alcuna penalità dovute ad eventuale ritardo. La LINZ ELECTRIC S.p.A. si riserva il diritto di prorogare il termine di consegna nei seguenti casi:

- 1) Causa di forza maggiore come scioperi, incendi, mancanza di energia e ogni altro evento indipendente dalla nostra volontà
- 2) Difficoltà di approvvigionamento di materie prime
- 3) Errori o ritardi nelle segnalazioni da parte del committente e nella trasmissione delle indicazioni necessarie all'esecuzione dell'ordine
- 4) Inadempienza alle condizioni di pagamento da parte del committente
- 5) Modifiche sull'ordine effettuate dopo l'emissione della conferma d'ordine

La merce si intende consegnata quando viene messa a disposizione per il ritiro da parte del cliente o con la consegna al Vettore o Spedizionario.

Pagamento

Il pagamento concordato deve essere effettuato direttamente al domicilio della LINZ ELECTRIC S.p.A. nel modo e nel termine indicato dalle fatture stesse. Per nessun motivo il committente può effettuare il pagamento oltre le scadenze pattuite. Trascorso tale termine la LINZ ELECTRIC S.p.A. si ritiene autorizzata ad addebitare gli interessi in ragione del 5% annuo oltre il tasso ufficiale di sconto in vigore al momento della scadenza. In caso di mancato o ritardato pagamento ci riserviamo inoltre il diritto di sospendere la fabbricazione e la consegna della merce ancora in ordine senza che ciò possa dare diritto ad eventuali rivalse o compensi.

Garanzia

La LINZ ELECTRIC S.p.A. riconosce un periodo di garanzia di 24 mesi dalla data di spedizione dell'alternatore. La garanzia si ritiene limitata ai soli difetti di materiali o di fabbricazione e non viene riconosciuta in caso di guasti provocati da errati collegamenti elettrici, installazione non corretta, utilizzo improprio e comunque qualora non sia stata prestata la massima cura durante l'installazione dell'alternatore. La decisione se riconoscere o meno la garanzia spetta unicamente all'Ufficio Assistenza Interno o a uno dei Centri Assistenza Autorizzati e viene comunicata solo in seguito al controllo effettuato sulle merci per le quali è richiesta la garanzia. La LINZ ELECTRIC S.p.A. è esclusa da ogni responsabilità diretta o indiretta per danni o perdite causate dall'uso o dall'impossibilità di utilizzo della macchina per la quale la garanzia è richiesta. La Garanzia non può essere riconosciuta se i prodotti, in seguito al controllo, risultino:

- 1) Immagazzinati in un luogo non idoneo con condizioni climatiche particolari
- 2) Manomessi o riparati da personale non autorizzato
- 3) Installati erroneamente o sottoposti a sovraccarichi o impiegati per prestazioni diverse da quelle per cui sono stati progettati
- 4) Usurati dal normale utilizzo o non sottoposti alla manutenzione periodica.

Procedura per la richiesta della garanzia

- 1) Ogni reclamo per difetti sugli alternatori di nostra produzione deve essere prontamente segnalato all'Ufficio Assistenza tramite fax o e-mail indicando il modello del prodotto con relativo numero di serie indicato in targa, la data di acquisto e una relazione sul problema riscontrato.
- 2) Il nostro Ufficio Assistenza provvederà immediatamente a prendere contatto con il cliente e deciderà se la merce dovrà rientrare in sede per un controllo o se l'intervento potrà essere effettuato da uno dei nostri Centri Assistenza. Nel caso in cui si richieda il rientro del prodotto da controllare presso la nostra sede di Arcole, il trasporto sarà a carico del cliente.
- 3) Se dopo il controllo effettuato dal nostro Ufficio Assistenza o in loco dal Centro Assistenza venisse riconosciuta la garanzia, la LINZ ELECTRIC S.p.A. provvederà a far pervenire gratuitamente il prodotto dovutamente riparato o sostituito in Porto Franco al cliente.
- 4) Nel caso in cui la garanzia non venisse riconosciuta l'Ufficio Assistenza provvederà a fare una relazione sulle ragioni del mancato riconoscimento della stessa, comunicando i costi per una eventuale riparazione a carico del cliente.

GENERAL TERMS AND SALE CONDITIONS

Orders registration

All orders have to indicate the following details: product's name, power, construction form, characteristics, accessories, if applicable, and special features. Orders are considered secure and binding only when a written order confirmation is issued by LINZ ELECTRIC S.p.A.

Prices

Prices do not include VAT. No reduction or rounding off shall be granted unless expressly authorized. This price list cancels and replaces all previous ones. LINZ ELECTRIC S.p.A. reserve the right to modify the price list at any time.

Packaging

Prices indicated in the price list include a standard packaging that LINZ ELECTRIC S.p.A. have considered taking into account different models and quantities that need to be shipped. Any other kind of packaging other than the standard one shall be billed and recorded in the relevant invoice.

Shipment

The recipient shall notify, immediately and directly, the carrier and LINZ ELECTRIC S.p.A. of any damages, shortages, or breaking of the materials received. Complaints concerning model mix-up or quantity discrepancies shall be evaluated if submitted in writing within 8 days after receipt of goods.

Delivery

Although we shall strive to respect them, terms of delivery are provided merely as an indication, even when mentioned in an order confirmation. Customers can not claim any refunds for any delays that may occur in the delivery of goods.

LINZ ELECTRIC S.p.A. reserve the right to delay deliveries in the following cases:

- 1) Force majeure, such as strikes, fires, power shortage, and any other events beyond their control;
- 2) Difficulties in obtaining raw materials;
- 3) Mistakes or delays concerning instructions from customers, and relevant details which are necessary for the fulfilment of orders;
- 4) Non-fulfilment of payment conditions by customers;
- 5) Changes made to orders after the order confirmation has been issued.

Goods are considered delivered when ready for collection, or once they have been delivered to the carrier or shipping agent.

Payment

Agreed payment must be settled directly to LINZ ELECTRIC S.p.A.'s address following the terms and using the method of payment indicated in the invoices. Under no circumstances customers can delay payment beyond the agreed deadlines. In the event of delayed payments LINZ ELECTRIC S.p.A. shall have the right to charge an interest rate equal to 5% per year over the official interest rate which is applicable at the time the payment is due.

In the event of payment failure or delay, we reserve the right to stop production and delivery of the ordered goods, and the customer shall have no right to receive any refunds or compensation.

Guarantee

LINZ ELECTRIC S.p.A. provide a 24-month guarantee period starting from shipping date.

The guarantee is limited only to material or construction faults. It is not applicable in the event of damages caused by mistakes concerning power connections, installation, improper use, or whenever the alternator is installed without using the utmost care.

Only Customer Service departments or our authorized service centres are entitled to decide whether the guarantee applies or not. Customers shall be informed of guarantee applicability only once the goods in question have been checked.

LINZ ELECTRIC S.p.A. shall not, in any case, be liable, neither directly nor indirectly, for losses or damages originating from using, or from the impossibility of using, the machine for which the guarantee has been requested.

The guarantee is not applicable if, once products have been checked, it is assessed that :

- 1) They were not properly stored, and were exposed to unfavourable climatic conditions;
- 2) They were illegally tampered with or serviced by unauthorized personnel;
- 3) They were not properly installed, were subject to overloading, or were used for purposes other than the ones for which they were designed;
- 4) They were damaged due to standard usage, or they did not undergo regular servicing.

Guarantee Request Procedure

- 1) Any complaints concerning faults detected in our alternators must be promptly notified to our Customer Service department, either by fax or e-mail, providing the product's model, the serial number shown on the rating table, the date of purchase, and a description of the problem that occurred.
- 2) Our Customer Service department shall contact the customer immediately and shall evaluate whether the goods need to be sent back for checking, or if servicing can be carried out by one of our service centres. In the event that the products need to be sent back to our headquarters in Arcole, transport costs shall be paid by the customer.
- 3) If the guarantee is deemed applicable, once the product has been checked either by our Customer Service department or on site, LINZ ELECTRIC S.p.A. shall repair or replace the product in question free of charge, freight included, and shall send it back to the customer.
- 4) In the event that the guarantee is not deemed applicable, our Customer Service department shall provide a detailed report highlighting the reasons for refusal, and any information concerning repair costs that need to be paid by the customer.

