

380J-3 Marine Diesel Engine Set Parts Catalogue

380J-3 船用柴油机组零件图册

ZHENJIANG SIYANG DIESEL ENGINE MANUFACTURING CO.,LTD CHINA

(East China Shipbuilding Institute Factory)

镇江四洋柴油机制造有限公司 (原华东船院工厂)

2008-10-28

CONTENTS 目录

Fig .1 Cylinder Head Cover Assembly 气缸盖罩总成	1
Fig .2 Cylinder Head Assembly 气缸盖总成	3
Fig .3 Engine Block Assembly 机体总成	7
Fig .4 Oil Filling Assembly 加油口总成	13
Fig .5 Timing Gear Train Assembly 正时齿轮总成	15
Fig .6 Piston and Connecting Rod Assembly 活塞连杆总成	17
Fig .7 Crankshaft and Flywheel Assembly 曲轴飞轮总成	19
Fig .8 Valve Timing Mechanism Assembly 配气机构总成	22
Fig .9 Water Pump Assembly 水泵总成	25
Fig .10 Oil Sump Assembly 油底壳总成	28
Fig .11 Lubricating Oil Pump Assembly 机油泵总成	30
Fig .12 Fuel System 燃油系统总成	33
Fig .13 Exhaust Pipe and Expansion Tank Assembly 排气管本体及膨胀水箱总成	35
Fig .14 Lube Oil Filter/ Alternator/Starting Motor 机油滤器/充电发电机/起动马达	38
Fig .15 Intake Pipe Assembly 进气管总成	40
Fig .16 Intake Pipe Assembly 进气管总成(Only for the engine set started by spring starter or manual starting device or hydraulic starting device 用于加装弹簧起动机或手摇起动装置或液压起动装置的柴油机组)	42
Fig .17 End Cover Assembly 端盖总成	44

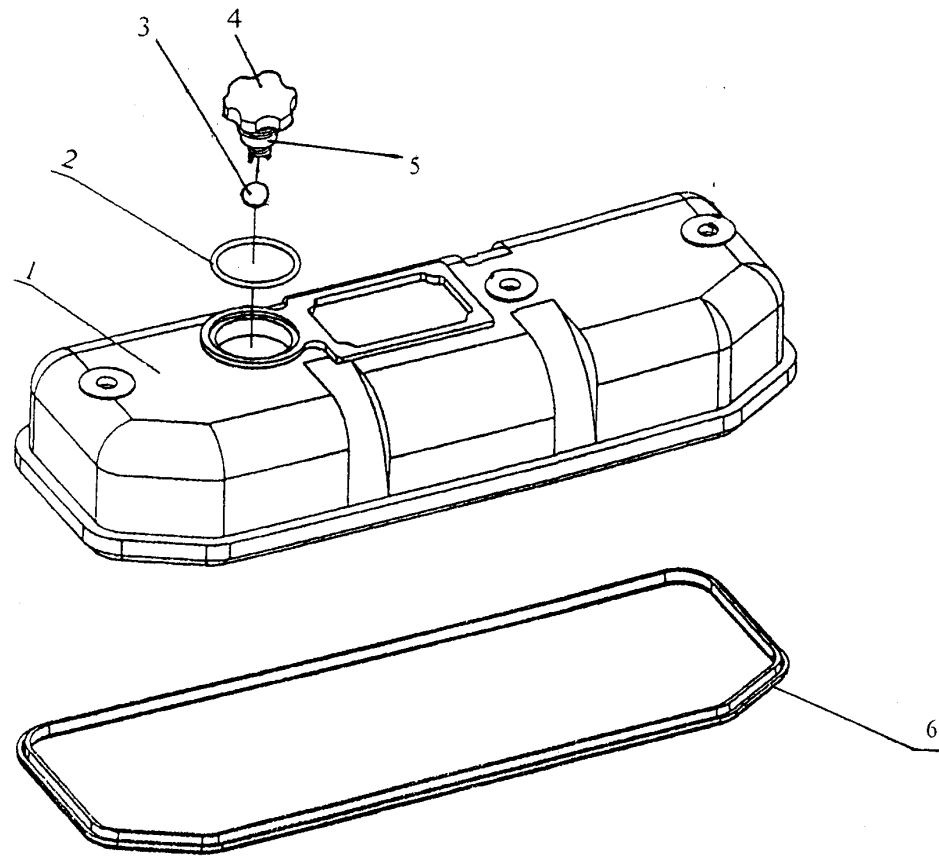


Fig. 1 Cylinder Head Cover Assembly 气缸盖罩总成

Series No. 序号	Parts No. Or Specification 图号或规格	Parts Description 名称	Quantity 数量	Remarks 附注
1	CZ380Q-01001	Cylinder head cover 气缸盖罩	1	
2	GB3452.1-82	“O” seal washer 33.5×2.65 O型密封圈	1	
3	GB308-89	Steel ball Φ15 钢球	1	
4	Z380-01007	Breath seat 透气阀座	1	
5	Z380-01008	Breathing cap 气帽	1	
6	CZ380Q-01004	Cylinder head cover sealing ring 气缸盖罩密封圈	1	

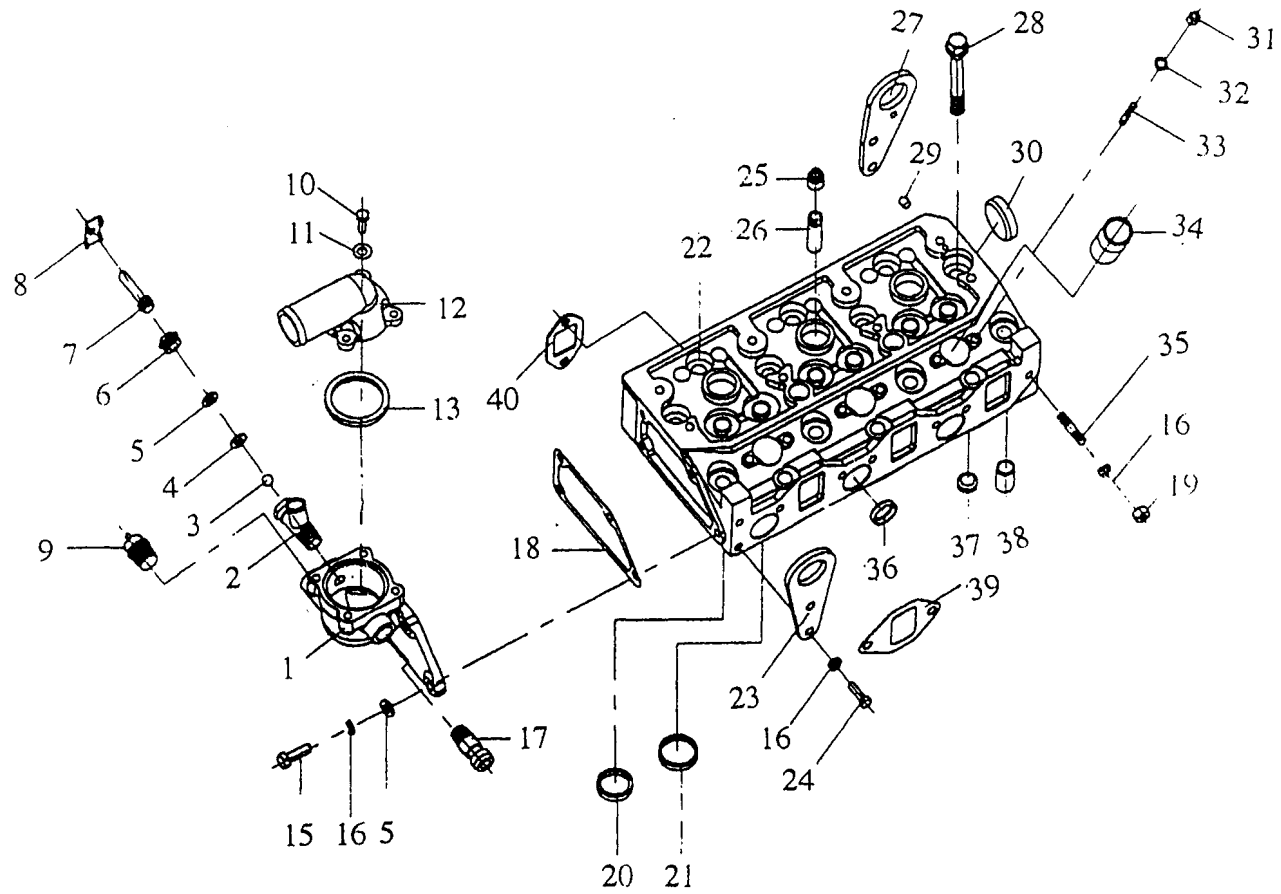


Fig.2 Cylinder Head Assembly 气缸盖总成

Fig.2 Cylinder Head Assembly 气缸盖总成

Series No. 序号	Parts No. Or Specification 图号或规格	Parts Description 名称	Quantity 数量	Remarks 附注
1	CZ475Q-170004	Thermostat body 节温器壳	1	
2	CZ475Q-171001	Switch body 开关体	1	
3	GB308-89	Steel ball Φ9.5 钢球	1	
4	N85Q-17105	Washer 垫圈	1	
5	GB97.1-85	Washer 8-140HV 垫圈	6	
6	N85Q-17102	Tighten Bolt 紧固螺栓	1	
7	CZ475Q-171004	Valve rod 阀杆	1	
8	N85Q-17103	Handle 把手	1	
9	WB9311	Water temperature alarm sensor 水温报警感应塞	1	
10	GB5783-86	Bolt M6×22 螺栓	4	
11	GB97.1-85	Washer 6 垫圈	4	
12	Z380-17001	Thermostat cap 节温器上盖	1	
13	CZ475Q-170002	Thermostat cap gasket 节温器盖垫片	1	

Fig.2 Cylinder Head Assembly 气缸盖总成

Series No. 序号	Parts No. Or Specification 图号或规格	Parts Description 名称	Quantity 数量	Remarks 附注
15	GB5782-86	Bolt M8×22	4	
16	GB93-87	Washer 8	28	
17	CZ475Q-170007	Soft pipe connector	1	
18	CZ475Q-020012	Thermostat body gasket	1	
19	GB41-86	Nut M8	12	
20	CZ475Q-021004	Exhaust valve seat	3	
21	CZ475Q-021003	Intake valve seat	3	
22	CZ380Q-021001	Cylinder head	1	
23	CZ475Q-020008	Front hoisting ring	1	
24	GB5783-86	Bolt M8×20	4	
25	QB8×13×13 (17)	Valve sealing ring	6	
26	CZ475Q-021002	Valve stem guide	6	

Fig.2 Cylinder Head Assembly 气缸盖总成

Series No. 序号	Parts No. Or Specification 图号或规格	Parts Description 名称	Quantity 数量	Remarks 附注
27	CZ475Q-020009	Backing hoisting ring 后吊环	1	
28	CZ475Q-020010	Cylinder head bolt 气缸盖螺栓	14	
29	CZ475Q-021010	Oil plug 油堵	1	
30	CZ475Q-021011	Bowl plug (II) 碗型塞	1	
31	CZ475Q-020011	Injector fasten nut 喷油器固定螺母	6	
32	GB93-87	Washer 6 垫圈	6	
33	CZ475Q-020001	Injector fasten stud 喷油器固定螺柱	6	
34	CZ475Q-021005	Injector inlaying sleeve 喷油器镶套	3	
35	GB900-88	Stud M8×20 螺柱	6	
36	N85-02109	Bowl plug (I) 碗型塞	6	
37	CZ475Q-021008	Bowl plug (IV) 碗型塞	5	
38	CZ475Q-021009	Sealing water pipe 封水套管	3	
39	CZ475Q-090008	Intake gasket 进气管垫片	3	
40	CZ475Q-090007	Exhaust pipe gasket 排气管垫片	3	

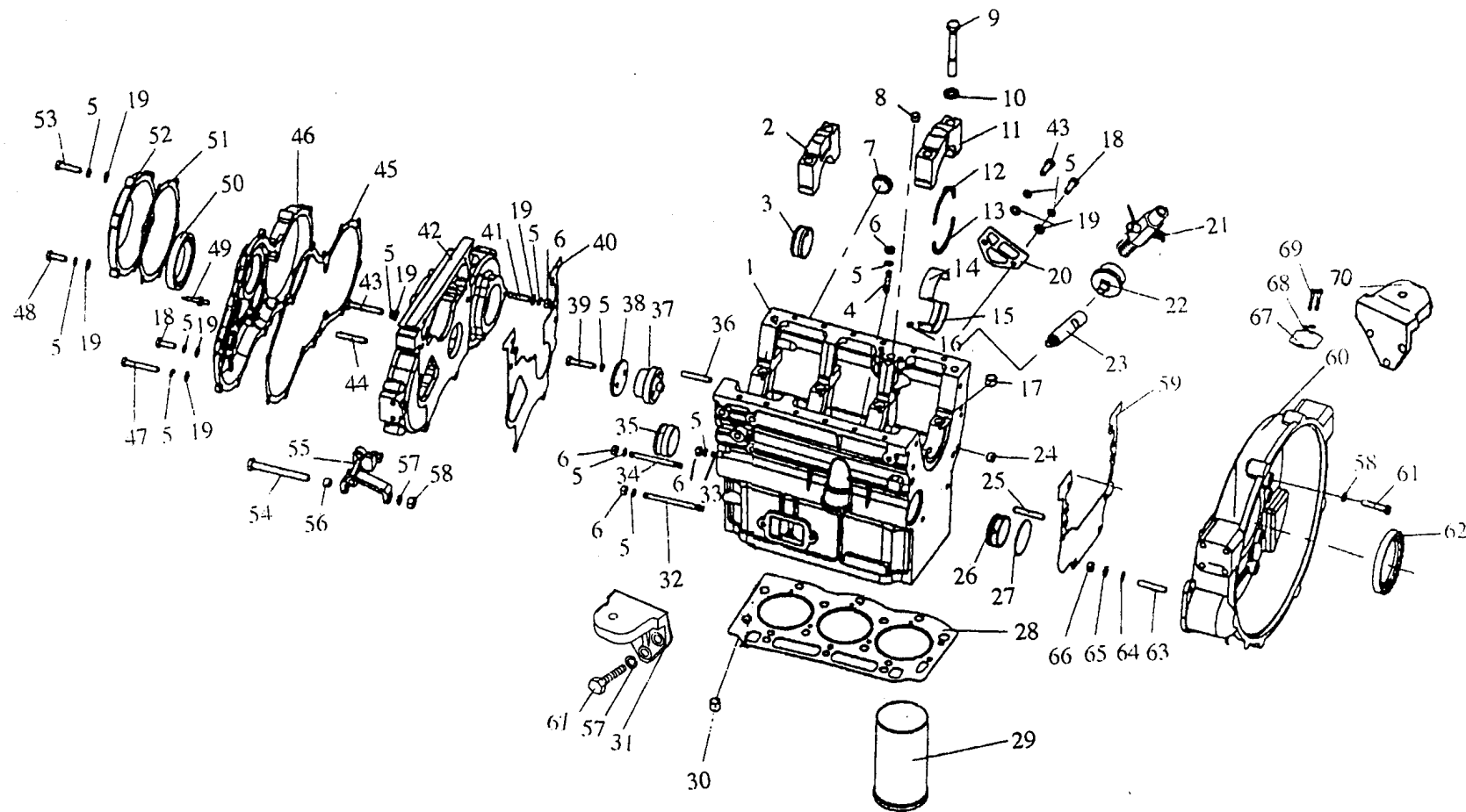


Fig.3 Engine Block Assembly 机体总成

Fig.3 Engine Block Assembly 机体总成

Series No. 序号	Parts No. Or Specification 图号或规格	Parts Description 名称	Quantity 数量	Remarks 附注
1	CZ380Q-031001	Engine block 机体	1	
2	CZ475-031008	Main bearing cap 主轴承盖	3	
3	N85-03006	Camshaft middle bushing 凸轮轴中衬套	1	
4	GB898-88	Stud M8×25 螺柱	2	
5	GB93-87	washer 8 垫圈	34	
6	GB6170-86	Nut M8 螺母	9	
7	CZ475Q-031015	Bowl Plug Φ30 碗型塞	3	
8	CZ475Q-031016	Plug 堵头	1	
9	CZ475Q-031011	Main bearing cap bolt 主轴承盖螺栓	8	
10	CZ475Q-031010	Main bearing cap bolt washer 主轴承盖螺栓垫圈	8	
11	CZ475Q-031009	Rear main bearing cap 后主轴承盖	1	
12	CZ475Q-030013	Crankshaft thrust piece (lower) 曲轴下止推片	2	
13	CZ475Q-030012	Crankshaft thrust piece (upper) 曲轴上止推片	2	
14	CZ475Q-030015	Main bearing shell (lower) 主轴承下瓦	4	

Fig. 3 Engine Block Assembly 机体总成

Series No. 序号	Parts No. Or Specification 图号或规格	Parts Description 名称	Quantity 数量	Remarks 附注
15	CZ475Q-031014	Main bearing shell (upper) 主轴承上瓦	4	
16	N85-03110	Z1/16" tape plug 圆锥螺塞	4	
17	CZ475Q-031006	Main bearing cap locating sleeve 主轴承盖定位套	2	
18	GB5783-86	Bolt M8×25 螺栓	9	
19	GB97.1-85	Washer 8 垫圈	23	
20	N85-03020	Lube oil filter gasket 机油滤清器垫片	1	
21	CZ380T-033000	Water outlet cock 放水考克	1	
22	YB1011	lube oil pressure sensor 机油压力报警传感器	1	
23	N85C-03004A	lube oil pressure sensor pipe 油压报警接头	1	
24	CZ475Q-031004	Main oil passage plug 主油道堵塞	2	
25	GB119-86	Pin B10×10 销	2	
26	CZ475Q-031014	Rear camshaft bushing 凸轮轴后衬套	1	
27	CZ475Q-031002	Plug 塞片	1	
28	CZ380Q-030003	Cylinder head gasket 气缸盖垫片	1	

Fig. 3 Engine Block Assembly 机体总成

Series No. 序号	Parts No. Or Specification 图号或规格	Parts Description 名称	Quantity 数量	Remarks 附注
29	CZ480Q-031017	Cylinder liner 气缸套	3	
30	CZ475Q-031003	Cylinder head locating sleeve 定位套	2	
31	380C3-01017BH(I)	Engine foot 机脚	2	
32	GB898-88	Stud M8×90 螺柱	1	
33	GB898-88	Stud M8×65 螺柱	1	
34	GB898-88	Stud M8×60 螺柱	2	
35	CZ475Q-031012	Camshaft front bushing 凸轮轴前衬套	1	
36	GB119-86	Pin B8×50 销	1	
37	CZ475Q-030008	Idling gear shaft 惰齿轮轴	1	
38	CZ475Q-030009	Idling gear plate 惰齿轮压板	1	
39	GB5783-86	Bolt M8×50 螺栓	2	
40	CZ475Q-120002A	Gear case gasket 齿轮室垫片	1	
41	GB899-88	Stud M8×25 螺柱	3	
42	CZ475Q-120001	Gear case 齿轮室	1	

Fig. 3 Engine Block Assembly 机体总成

Series No. 序号	Parts No. Or Specification 图号或规格	Parts Description 名称	Quantity 数量	Remarks 附注
43	GB5782-86	Bolt M8×45 螺栓	3	
44	JB119-86	Pin B8×18 销	1	
45	CZ475Q-120003A	Gear case cover gasket 齿轮室盖垫片	1	
46	CZ475Q-120004	Gear case cover 齿轮室盖	1	
47	GB5782-86	Bolt M8×55 螺栓	5	
48	GB5782-86	Bolt M8×65 螺栓	1	
49	CZ475Q-120007	TDC pointer 上止点指针	1	
50	JB2600-86	Oil sealing DR55×75×12 油封	1	
51	CZ475Q-120006A	Front cover gasket 前盖垫片	2	
52	CZ475Q-120005	Front cover 前盖	1	
53	GB5782-86	Bolt M8×35 螺栓	5	
54	GB5782-86	Bolt M10×95 螺栓	1	
55	CZ380C-120008A	Alternator bracket 发电机支架	1	
56	CZ475Q-120009	Alternator bracket sleeve 发电机支架衬套	1	

Fig. 3 Engine Block Assembly 机体总成

Series No. 序号	Parts No. Or Specification 图号或规格	Parts Description 名称	Quantity 数量	Remarks 附注
57	GB93-87	Washer 10 垫圈	9	
58	GB6170-86	Nut M10 螺母	1	
59	CZ475Q-030010	Flywheel case gasket 飞轮壳垫片	1	
60	CZ380C-030011A	Flywheel case 飞轮壳	1	
61	GB5783-86	Bolt M10×30 螺栓	8	
62	JB2600-80	Oil sealing DL80×100×12 油封	1	
63	GB899-88	Stud M12×30 螺柱	2	
64	GB97.1-85	Washer 12 垫圈	2	
65	GB93-87	Washer 12 垫圈	2	
66	GB898-86	Nut M12 螺母	2	
67	CZ480Q-030017	View window plate 观察窗盖板	1	
68	GB93-87	Washer 6 垫圈	2	
69	GB65-86	Screw M6×8 螺钉	2	
70	Z380-03401,2 (BH)	Engine foot 机脚	Each 1	

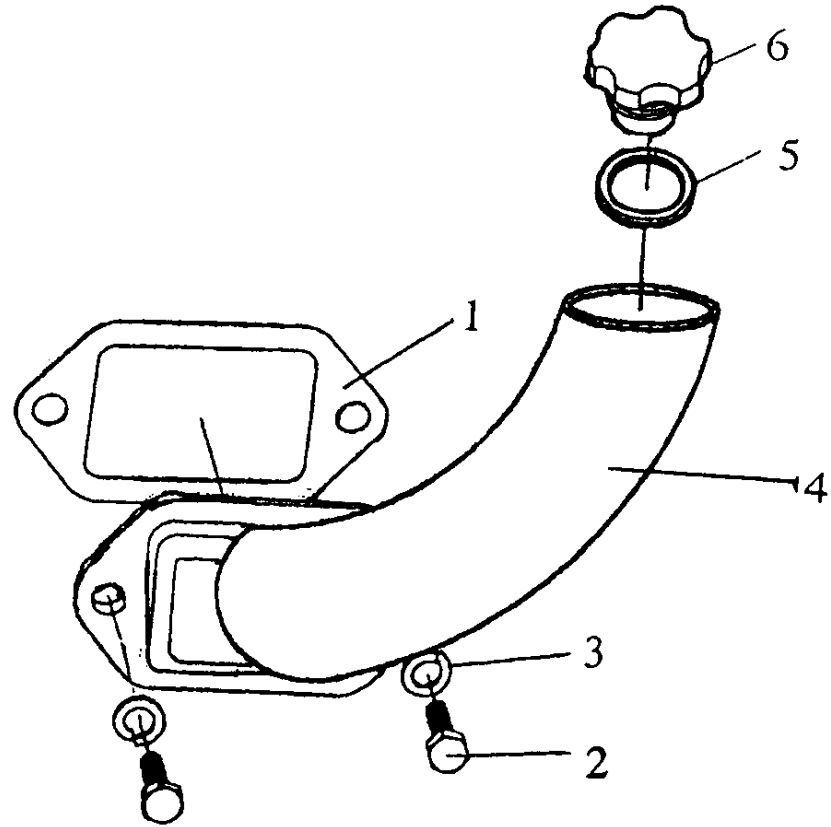


Fig.4 Oil Filling Assembly 加油口总成

Fig.4 Oil Filling Assembly 加油口总成

Series No. 序号	Parts No. Or Specification 图号或规格	Parts Description 名称	Quantity 数量	Remarks 附注
1	N85-19005	Push rod case gasket 推杆室垫片	1	
2	GB5783-86	Bolt M8×25 螺栓	2	
3	GB859-87	Washer 8 垫圈	1	
4	Z380-10001	Oil filling pipe 加油口	1	
5	GB3452.1-82	Sealing ring 密封圈	1	
6	Z380-10002	Oil filling cap 加油口盖	1	

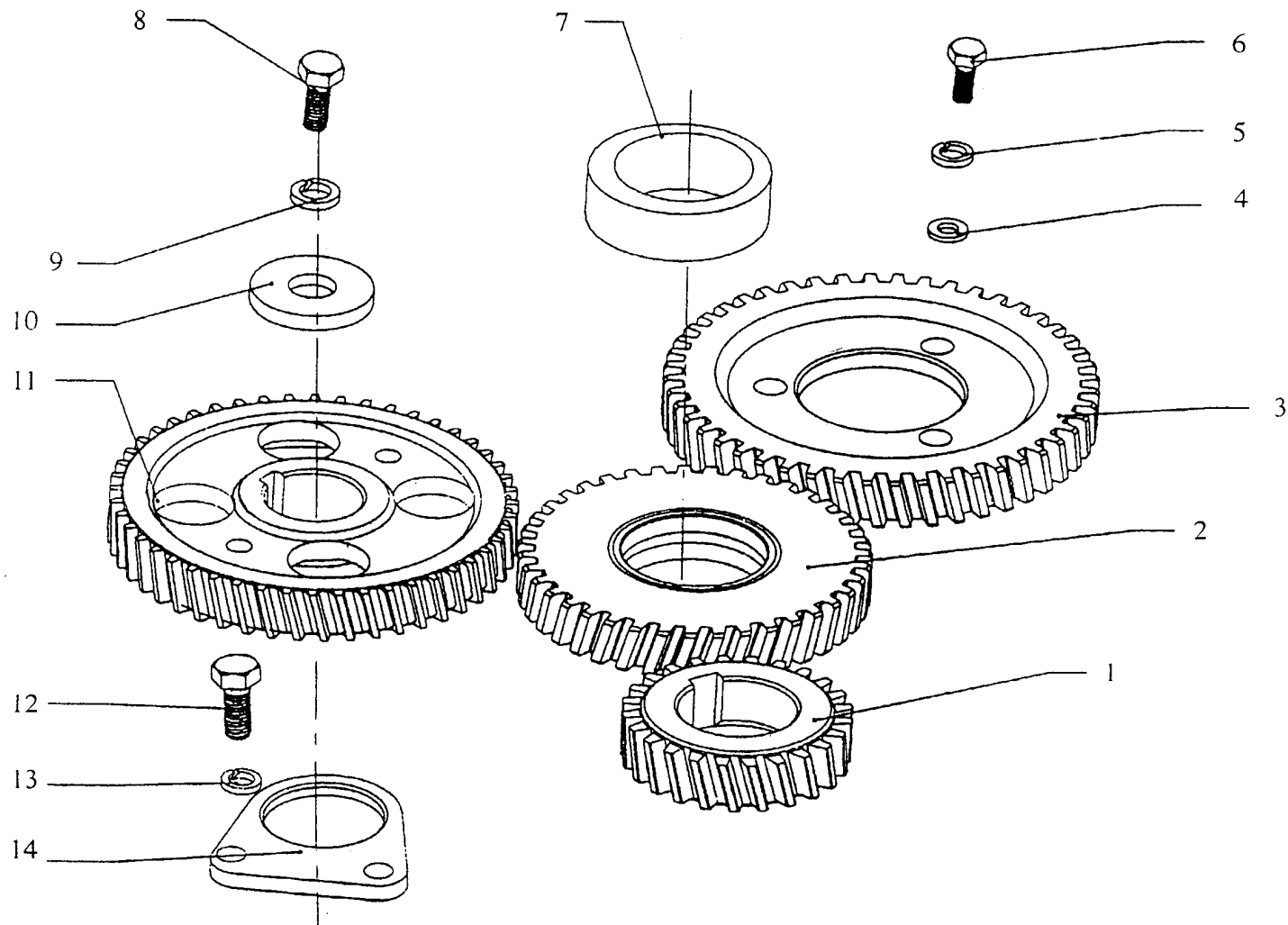


Fig .5 Timing Gear Train Assembly 正时齿轮总成

Fig.5 Timing Gear Train Assembly 正时齿轮总成

Series No. 序号	Parts No. Or Specification 图号或规格	Parts Description 名称	Quantity 数量	Remarks 附注
1	CZ475Q-040001	Camshaft timing gear 曲轴正时齿轮	1	
2	CZ475Q-041001	Idle gear 惰齿轮	1	
3	CZ380C-040003A	Injecting pump timing gear 喷油泵正时齿轮	1	
4	GB97.1-85	Washer 8 垫圈	3	
5	GB93-87	Washer 8 垫圈	3	
6	GB5783-86	Bolt M8×16 螺栓	3	
7	CZ475Q-041002	Idle gear bushing 惰齿轮衬套	1	
8	GB5783-86	Bolt M12×2.5 螺栓	1	
9	GB93-87	Washer 垫圈	1	
10	CZ475Q-070003	Camshaft gear circlip 凸轮轴齿轮挡圈	1	
11	CZ475Q-040002	Camshaft gear 凸轮轴齿轮	1	
12	GB5783-86	Bolt M8×20 螺栓	2	
13	GB93-87	Washer 8 垫圈	2	
14	CZ475Q-070002	Camshaft thrust plate 凸轮轴止推片	1	

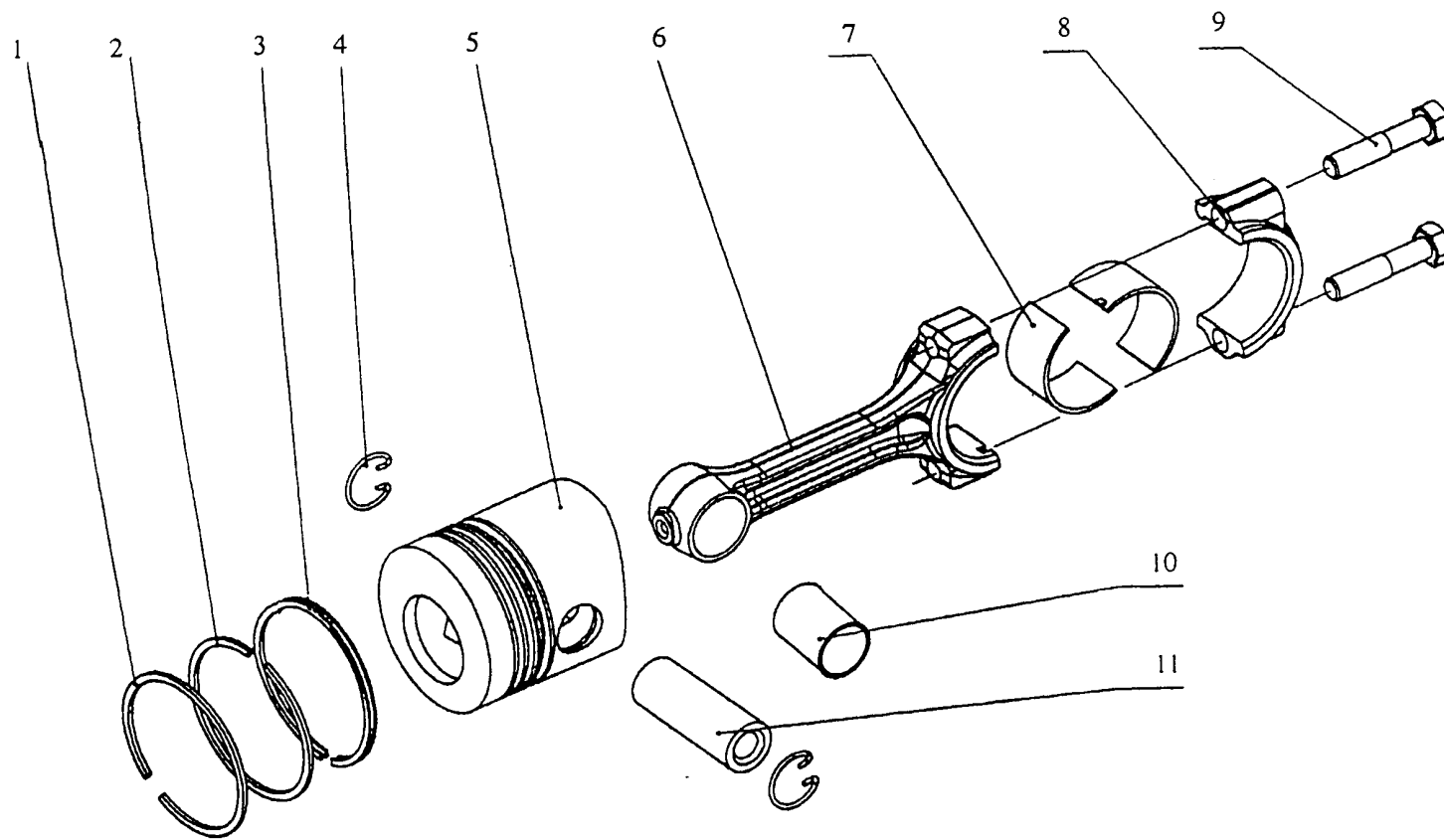


Fig.6 Piston and Connecting Rod Assembly 活塞连杆总成

Fig.6 Piston and Connecting Rod Assembly 活塞连杆总成

Series No. 序号	Parts No. Or Specification 图号或规格	Parts Description 名称	Quantity 数量	Remarks 附注
1	CZ480Q-050001	1 st piston ring 第一道气环	3	
2	CZ480Q-050002	2 nd piston ring 第二道气环	3	
3	CZ480Q-051000	Oil ring 油环	3	
4	GB893.1-86	Piston pin Circlip 活塞销挡圈	6	
5	CZ480Q-050005	Piston 活塞	3	
6	CZ480Q-052002	Connecting rod 连杆	3	
7	CZ480Q-050006	Connecting rod bearing shell 连杆轴瓦	6	
8	CZ480Q-052003	Connecting rod cap 连杆盖	3	
9	CZ480Q-052004	Connecting rod bolt 连杆螺栓	6	
10	CZ480Q-052001	Connecting rod bushing 连杆衬套	3	
11	CZ480Q-050004	Piston pin 活塞销	3	

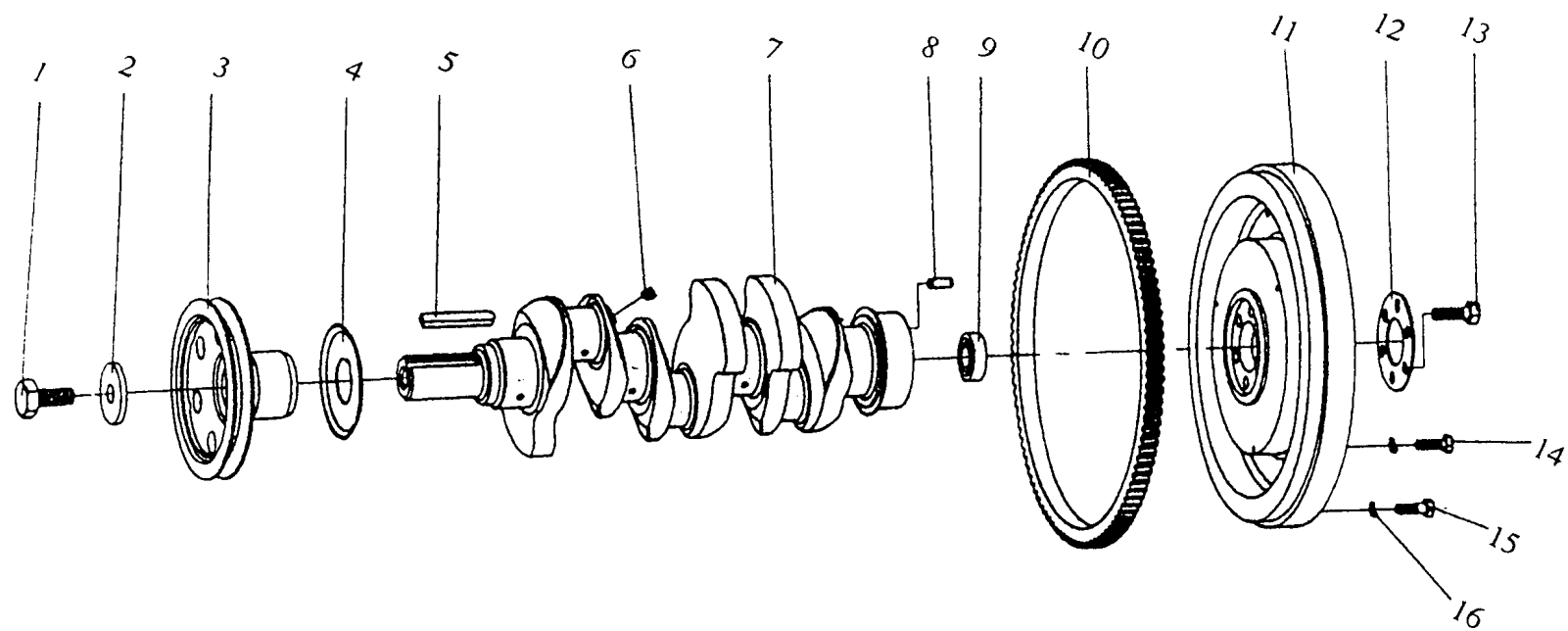


Fig .7 Crankshaft and Flywheel Assembly 曲轴飞轮总成

Fig.7 Crankshaft and Flywheel Assembly 曲轴飞轮总成

Series No. 序号	Parts No. Or Specification 图号或规格	Parts Description 名称	Quantity 数量	Remarks 附注
1	CZ475Q-060006	Crankshaft pulley bolt 曲轴皮带轮螺栓	1	
2	CZ475Q-060005	Crankshaft pulley washer 曲轴皮带轮垫圈	1	
3	CZ380Q-060004	Crankshaft pulley 曲轴皮带轮	1	
4	CZ475Q-060007	Oil thrower 甩油盘	1	
5	GB1096-79	Flat key C10×6.3 键	1	
6	CZ475Q-060008	Oil plug 油堵螺塞	3	
7	CZ380Q-060003	Crankshaft 曲轴	1	
8	GB119-86	Pin B8×20 销	1	
9	GB278-89	Bearing B60203 轴承	1	
10	CZ475Q-061002	Flywheel gear ring 飞轮齿圈	1	
11	CZ380C-061001A	Flywheel 飞轮	1	
12	CZ475Q-060002	Flywheel bolt plate 飞轮螺栓垫板	1	
13	CZ475Q-060001	Flywheel bolt 飞轮螺栓	6	
14	GB5783-86	Bolt M8×25 螺栓	4	

Fig.7 Crankshaft and Flywheel Assembly 曲轴飞轮总成

Series No. 序号	Parts No. Or Specification 图号或规格	Parts Description 名称	Quantity 数量	Remarks 附注
15	CZ475Q-33001	Locating bolt 定位螺栓	2	
16	GB93-87	Washer 8 垫圈	6	

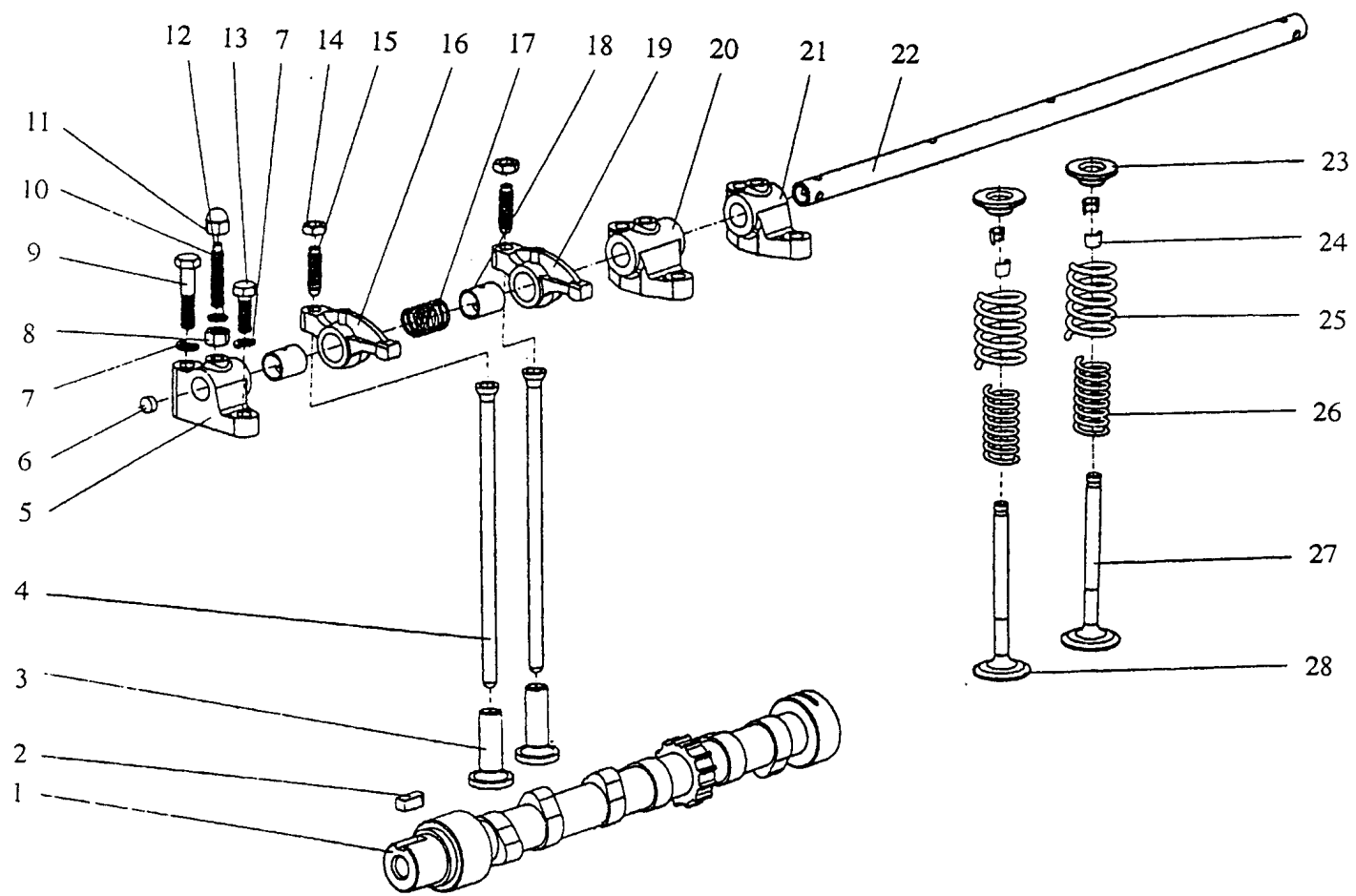


Fig.8 Valve Timing Mechanism Assembly 配气机构总成

Fig.8 Valve Timing Mechanism Assembly 配气机构总成

Series No. 序号	Parts No. Or Specification 图号或规格	Parts Description 名称	Quantity 数量	Remarks 附注
1	CZ380Q-070001	Camshaft 凸轮轴	1	
2	GB1096-79	Key C8×14 平键	1	
3	CZ475Q-070004	Valve tappet 挺柱	6	
4	CZ480Q-070005	Valve push rod 推杆	6	
5	CZ475Q-022002	Front rocker arm support 前摇臂座	1	
6	CZ475Q-022007	Plug 闷头	2	
7	GB859-87	Washer 8 垫圈	8	
8	GB41-86	Nut M8 螺母	3	
9	GB5782-86	Bolt M8×45 螺栓	4	
10	GB79-85	Bolt M8×40 螺栓	3	
11	GB802-88	Nut M8 螺母	3	
12	CZ475Q-022009	Washer 8 垫圈	3	
13	GB5783-86	Bolt M8×25 螺栓	4	
14	CZ475Q-022008	Valve clearance adjusting nut 气门间隙锁紧螺母	6	

Fig.8 Valve Timing Mechanism Assembly 配气机构总成

Series No. 序号	Parts No. Or Specification 图号或规格	Parts Description 名称	Quantity 数量	Remarks 附注
15	CZ475Q-022001	Valve clearance adjusting screw 气门间隙调节螺钉	6	
16	CZ475Q-022101	Exhaust valve rocker arm 排气门摇臂	3	
17	CZ475Q-022003	Rocker arm shaft spring 摇臂轴弹簧	3	
18	CZ475Q-02102	valve rocker arm bushing 气门摇臂衬套	6	
19	CZ475Q-022201	Intake valve rocker arm 进气门摇臂	3	
20	CZ475Q-022005	Middle rocker arm support 中间摇臂座	2	
21	CZ475Q-022006	Rear rocker arm support 后摇臂座	1	
22	CZ380Q-022004	Rocker arm shaft 摇臂轴	1	
23	N85-02001 (1)	Valve spring seat (upper) 气门弹簧上座	6	
24	N85-02002	Valve collet 气门锁夹	12	
25	N85-02003 (1)	Valve outer spring 气门外弹簧	6	
26	N85-02003 (2)	Valve inner spring 气门内弹簧	6	
27	CZ475Q-020003	Exhaust valve 排气门	3	
28	CZ475Q-020002	Intake valve 进气门	3	

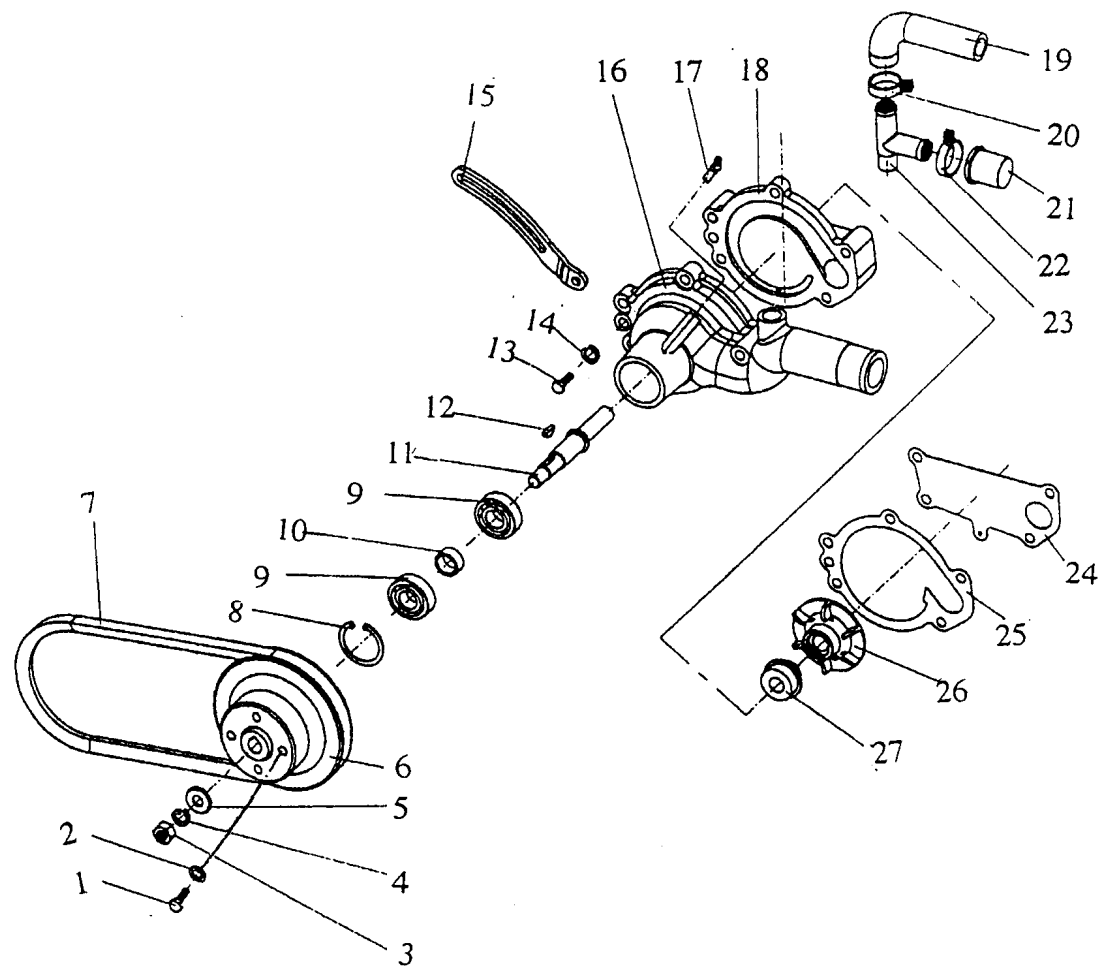


Fig.9 Water Pump Assembly 水泵总成

Fig.9 Water Pump Assembly 水泵总成

Series No. 序号	Parts No. Or Specification 图号或规格	Parts Description 名称	Quantity 数量	Remarks 附注
1	GB5873-86	Bolt M6×20 螺栓	4	
2	GB93-87	Spring washer 6 垫圈	4	
3	GB6170-86	Nut M10 螺母	1	
4	GB93-87	Spring washer 10 垫圈	1	
5	CZ475Q-080002	Washer 垫圈	1	
6	CZ475Q-080010	Water pump pulley 水泵皮带轮	1	
7	HG4-401-74	Fan belt 风扇带	1	
8	GB893.2-86	Circlip 40 挡圈	1	
9	GB278-89	Bearing E60203 轴承	1	
10	CZ475Q-080005	Bearing space sleeve 轴承隔圈	2	
11	CZ475Q-080007	Water pump shaft 水泵轴	1	
12	GB1099-79	Key 4×6.5×1.6 半圆键	1	
13	GB5783-86	Bolt M8×30 螺栓	2	
14	GB93-87	Washer 8 垫圈	2	

Fig.9 Water Pump Assembly 水泵总成

Series No. 序号	Parts No. Or Specification 图号或规格	Parts Description 名称	Quantity 数量	Remarks 附注
15	CZ475Q-080013	Adjusting bracket 调节支架	1	
16	CZ475Q-080004	Water pump body 水泵体	1	
17	GB1153-89	Oil cup (M6) 油杯	1	
18	CZ475Q-080009	Rear cover of water pump 水泵后盖	1	
19	CZ475Q-080001	Hose pipe 橡胶管	1	
20	ZBT320051-88	Soft pipe clamp Φ 24 软管夹箍	1	
21	CC4105Q-080009	Plug 闷盖	1	
22	ZBT320051-88	Soft pipe clamp Φ 28 软管夹箍	1	
23	CZ475Q-080011	Connecting pipe 接管	1	
24	CZ475Q-080012	Water pump rear cover gasket 水泵后盖垫片	1	
25	CZ475Q-080008	Water pump gasket 水泵垫片	1	
26	CZ475Q-080006	Water pump impeller 水泵叶轮	1	
27	IIF-15	Water seal 水封	1	

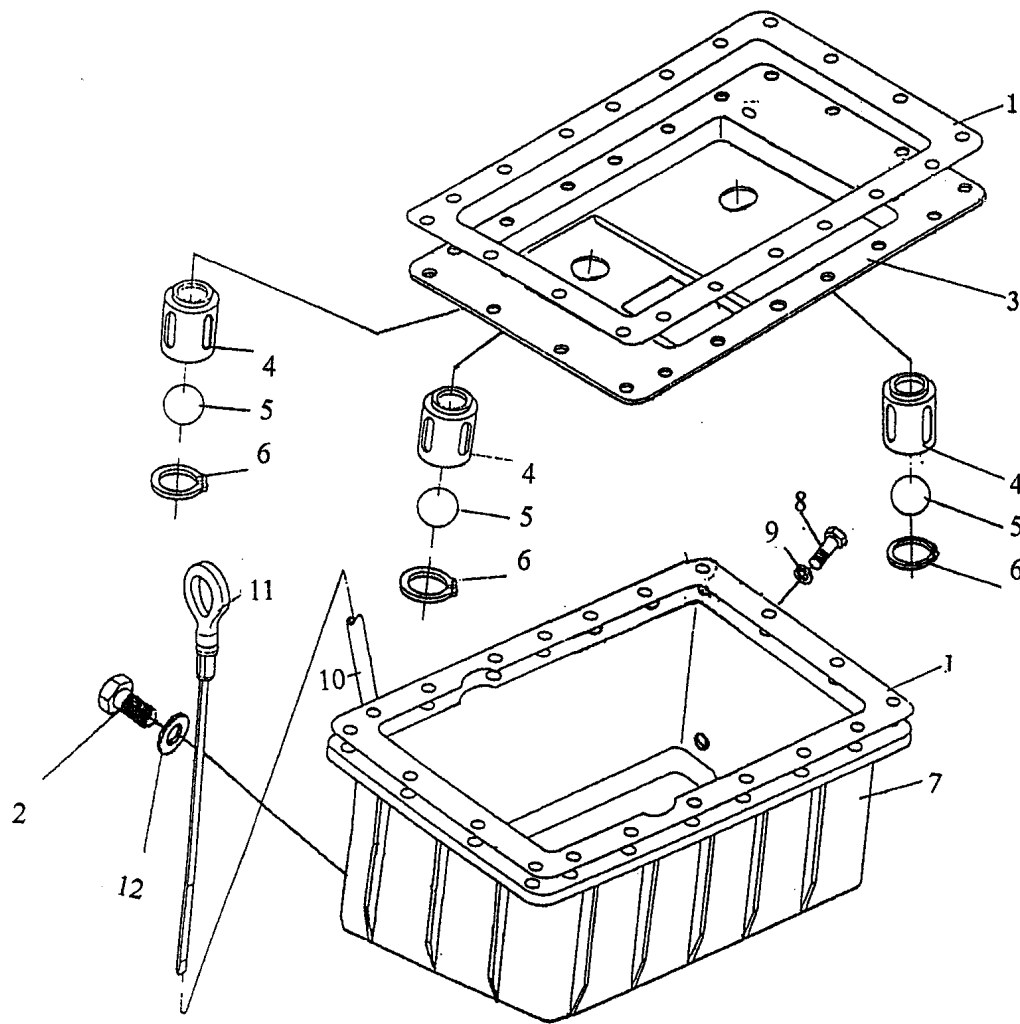


Fig.10 Oil Sump Assembly 油底壳总成

Fig. 10 Oil Sump Assembly 油底壳总成

Series No. 序号	Parts No. Or Specification 图号或规格	Parts Description 名称	Quantity 数量	Remarks 附注
1	CZ380Q-110005A	Oil sump gasket 油底壳垫片	2	
2	2-08202	Joint screw 接头螺钉	1	
3	Z380-11002	Oil sump partition 油底壳隔板	1	
4	2C3-F08501	Check valve housing 单向阀壳	4	
5	GB308-89	Steel ball $\Phi 32$ 钢球	4	
6	GB893.1-86	Circlip 35 挡圈	4	
7	Z380-11001	Oil sump 油底壳	1	
8	A-20402	Oil drain screw 放油螺塞	1	
9	A-10706	Washer 18 垫圈	1	
10	Z380-11003	Dipstick pipe 油尺管	1	
11	Z380-11004	Dipstick 油尺	1	
12	2C-34014	Washer $\Phi 14$ 垫圈	2	

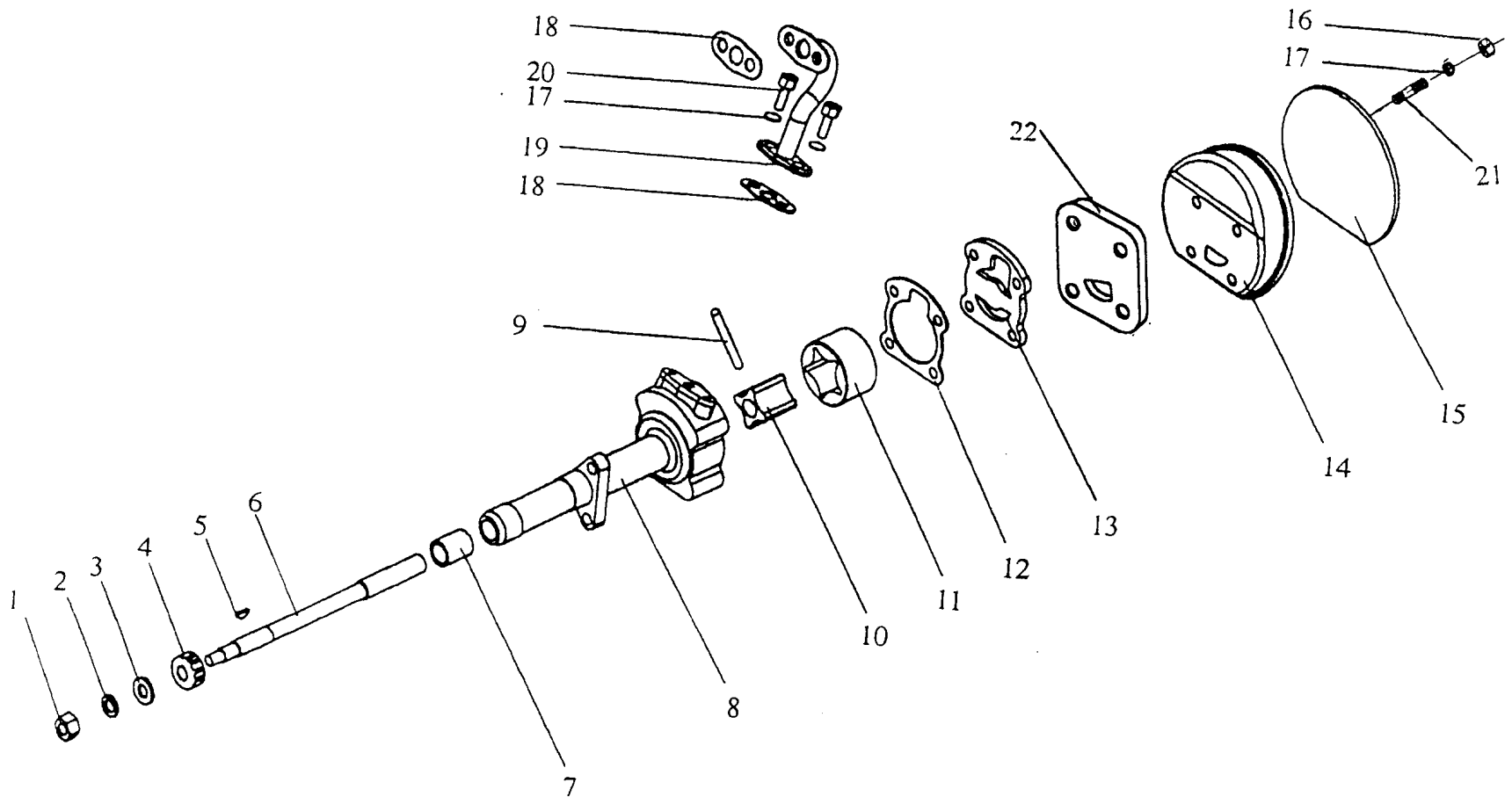


Fig.11 Lubricating Oil Pump Assembly 机油泵总成

Fig.11 Lubricating Oil Pump Assembly 机油泵总成

Series No. 序号	Parts No. Or Specification 图号或规格	Parts Description 名称	Quantity 数量	Remarks 附注
1	GB6170-86	Nut M10 螺母	1	
2	GB93-87	Washer 10 垫圈	1	
3	GB848-88	Washer 10 垫圈	1	
4	CZ475Q-130003	Transfer gear 传动齿轮	1	
5	GB1099-79	Key 3×5×13 键	1	
6	CZ475Q-131001	Lube oil pump shaft 机油泵轴	1	
7	CZ475Q-132001	Sleeve 衬套	1	
8	CZ475Q-132002	Lube oil pump block 机油泵体	1	
9	GB119-86	Pin A5×20 圆柱销	1	
10	CZ475Q-131002	Inner rotor 内转子	1	
11	CZ475Q-131006	Outer rotor 外转子	1	
12	CZ475Q-130007	Gasket 机油泵垫片	1	
13	CZ475Q-130008	Lube oil pump cover 机油泵盖	1	

Fig.11 Lubricating Oil Pump Assembly 机油泵总成

Series No. 序号	Parts No. Or Specification 图号或规格	Parts Description 名称	Quantity 数量	Remarks 附注
14	CZ475Q-130009	Oil suction strainer 滤网体	1	
15	CZ475Q-130010	Filter strainer 滤网	1	
16	GB5783-86	Bolt M8×25 螺栓	4	
17	GB93-87	Washer 8 垫圈	8	
18	CZ475Q-130001	Flange gasket 出油管法兰垫片	1	
19	CZ475Q-134000	Drain oil pipe 出油管	1	
20	GB5783-86	Bolt M8×10 螺栓	4	
21	GB899-88	Stud M8×30 螺柱	4	
22	Z380-13011	Oil inlet flange 吸油口法兰片	1	

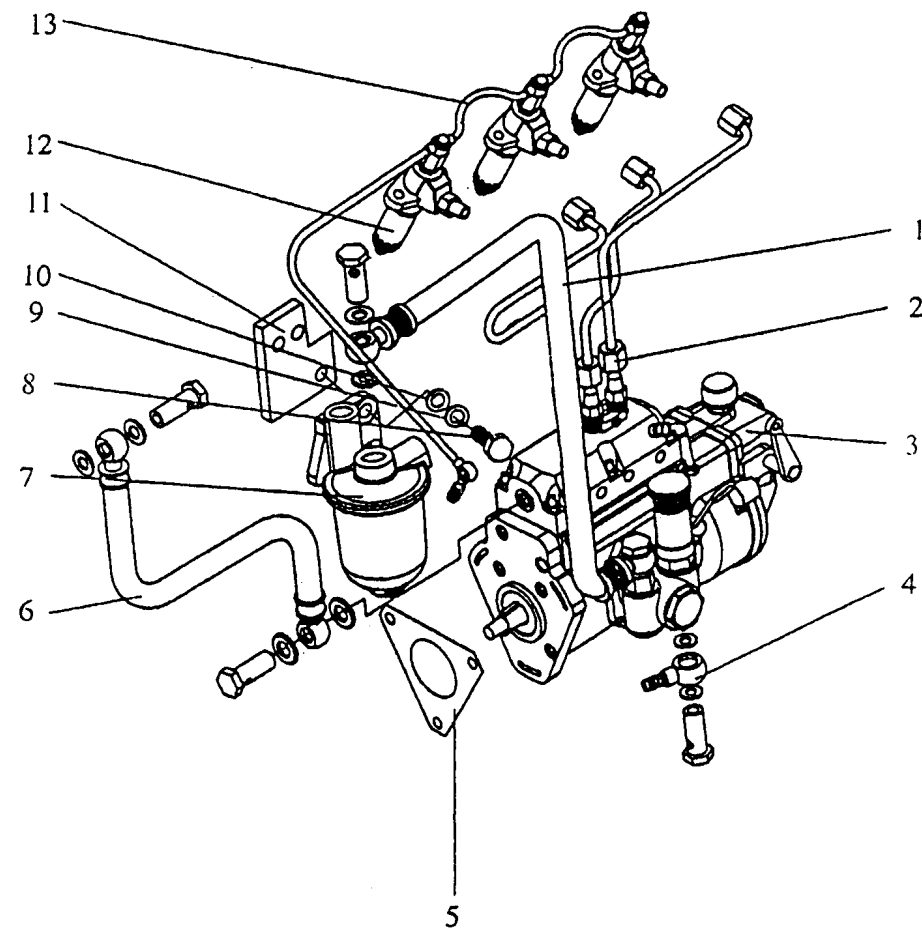


Fig.12 Fuel System 燃油系统总成

Fig .12 Fuel System 燃油系统总成

Series No. 序号	Parts No. Or Specification 图号或规格	Parts Description 名称	Quantity 数量	Remarks 附注
1	CZ380Q-146000	Fuel pipe from feed pump to filter 输油泵至滤器油管	1	
2	CZ380Q-142000	High pressure oil pipe 高压油管	1	
3	CZ380Q-141000	Injecting pump 喷油泵	1	
4	N85-15500 (A)	Connector of fuel inlet pipe 输油泵进油管接头	1	
5	CZ475Q-140001	Injecting pump gasket 喷油泵垫片	1	
6	CZ380Q-145000	Fuel pipe from filter to feed pump 滤器至输油泵油管	1	
7	CZ475Q-144100	Fuel filter 柴油滤清器部件	1	
8	GB5783-86	Bolt M10×20 螺栓	1	
9	GB93-87	Washer 10 垫圈	1	
10	GB97.5-85	Washer 10 垫圈	1	
11	CZ475Q-144200	Welder part for fuel filter 柴油滤清器焊接件	1	
12	CZ475Q-144800	Injector 喷油器部件	3	
13	CZ380C-143000A	Injector fuel return pipe 回油管部件	1	

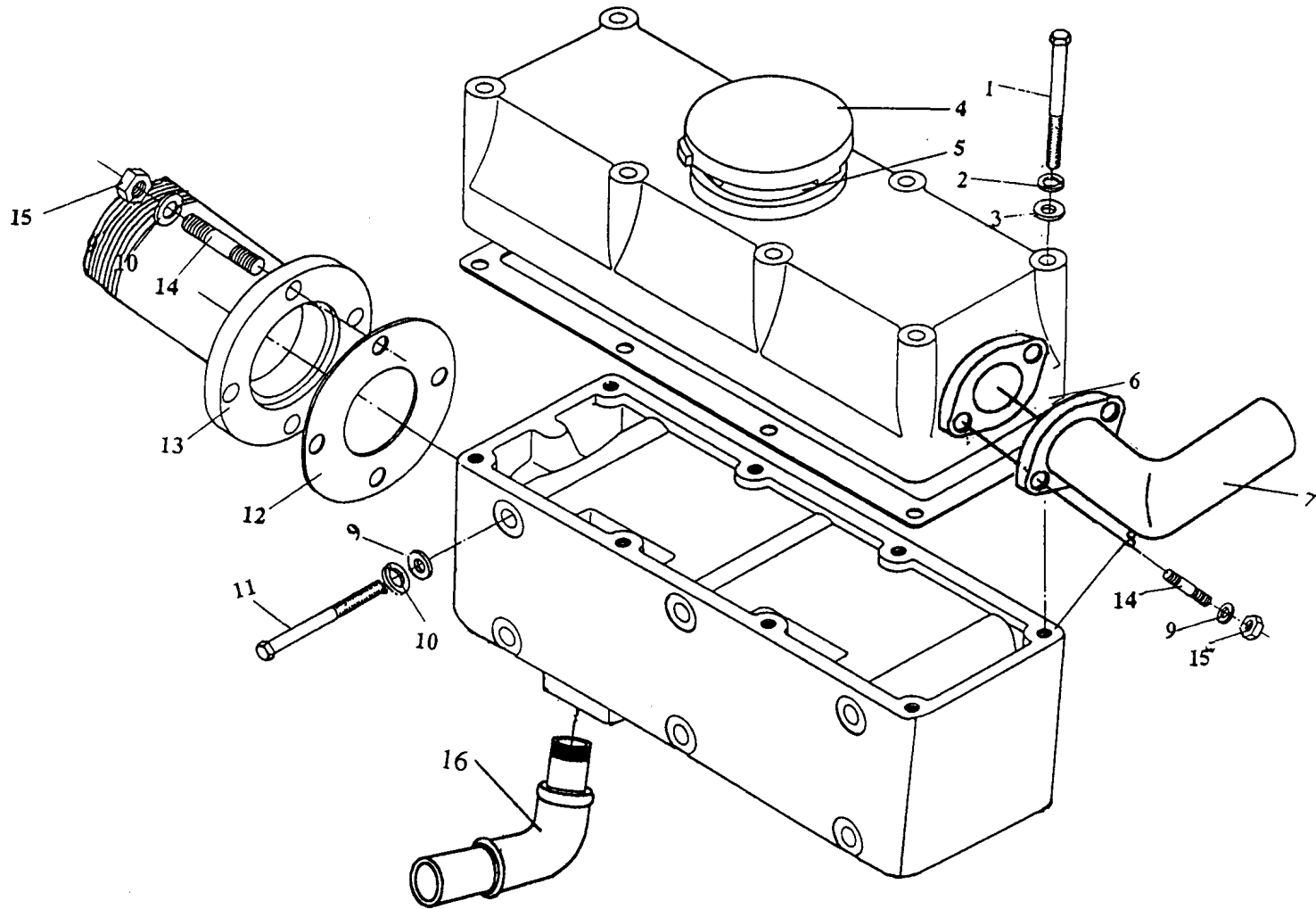


Fig.13 Exhaust Pipe and Expansion Tank Assembly 排气管本体及膨胀水箱总成

Fig.13 Exhaust Pipe and Expansion Tank Assembly 排气管本体及膨胀水箱总成

Series No. 序号	Parts No. Or Specification 图号或规格	Parts Description 名称	Quantity 数量	Remarks 附注
1	GB5782-86	Bolt M6×84 螺栓	8	
2	GB93-87	Washer 6 垫圈	8	
3	GB97.1-85	Washer 6 垫圈	8	
4		Complex radiator cap 膨胀水箱盖	1	
5		Complex radiator cover seat 膨胀水箱盖座	1	
6	Z380-17008	Expansion tank 膨胀水箱	1	
7	Z380-17009	Inlet water pipe 进水管	1	
8	Z380-09006	Exhaust pipe body 排气管本体	1	
9	GB97.1-85	Washer 8 垫片	8	
10	GB93-87	Washer 8 垫圈	10	
11	GB899-88	Stud M8×112 螺柱	6	
12	Z380-09007	Gasket 纸垫	1	
13	Z380-09008	Exhaust flange pipe 排气法兰接管	1	
14	GB899-88	Stud M8×20 螺柱	4	

Fig.13 Exhaust Pipe and Expansion Tank Assembly 排气管本体及膨胀水箱总成

Series No. 序号	Parts No. Or Specification 图号或规格	Parts Description 名称	Quantity 数量	Remarks 附注
15	GB6780-86	Nut M8 螺母	12	
16	Z380-17006	Outlet pipe connector 出水管接头	1	

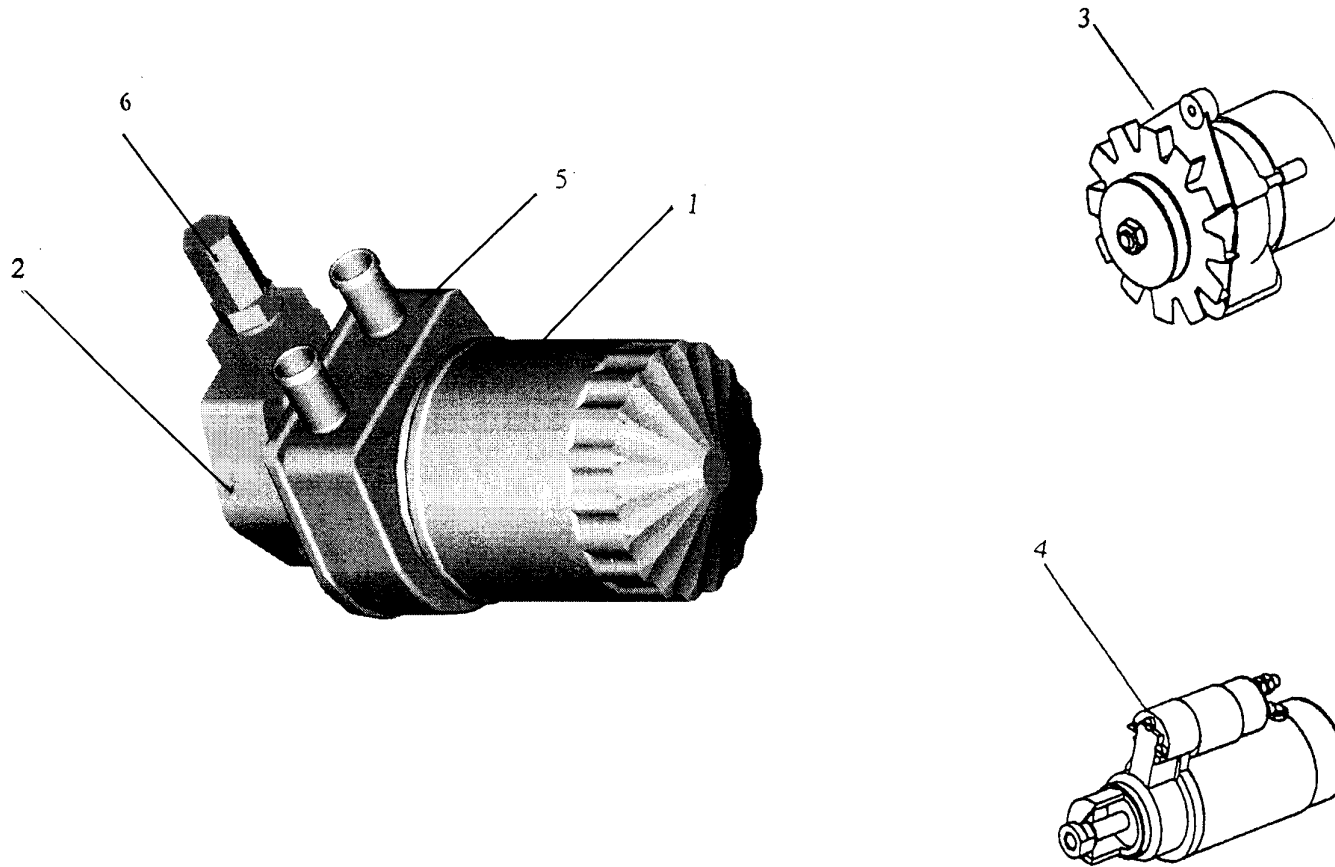


Fig. 14 Lube Oil Filter/ Generator/Starting Motor 机油滤器/充电发电机/起动马达

Fig.14 Lube Oil Filter/Alternator/Starting Motor 机油滤器/充电发电机/起动马达

Series No. 序号	Parts No. Or Specification 图号或规格	Parts Description 名称	Quantity 数量	Remarks 附注
1	JX0706P1	Lube filter 机油滤器	1	
2	380C3-09301	Filter seat 滤器座	1	
3	JFW17H1	Alternator 充电发电机	1	
4	QD138C	Starting motor 起动马达	1	
5	YZ90ZH6	Lube cooler 机油冷却器	1	
6		Pressure adjusting screw set J0810 旁通阀组	1	

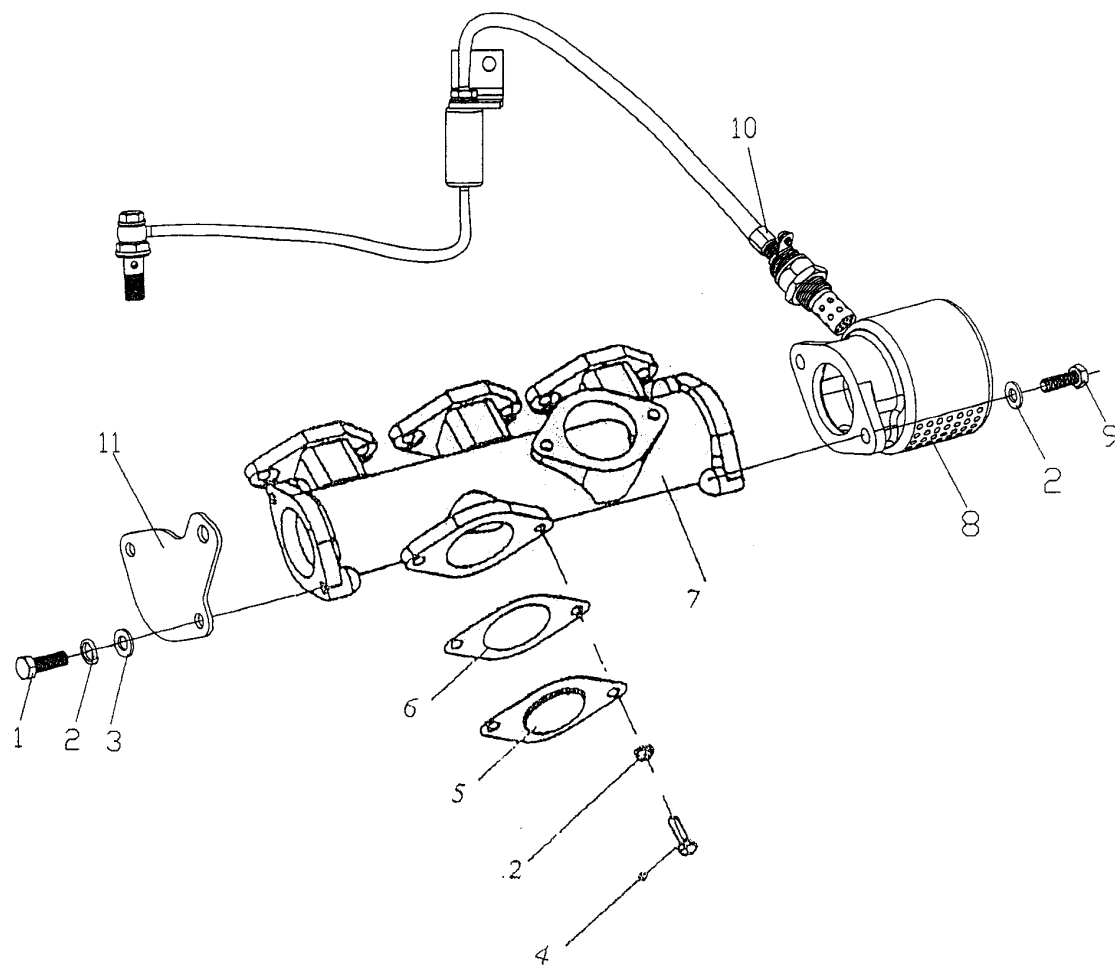


Fig. 15 Intake Pipe Assembly 进气管总成（常规配置）

Fig. 15 Intake Pipe Assembly 进气管总成（常规配置）

Series No. 序号	Parts No. Or Specification 图号或规格	Parts Description 名称	Quantity 数量	Remarks 附注
1	GB5782-86	Bolt M8×30 螺栓	2	
2	GB93-87	Washer 8 垫圈	6	
3	GB97.1-85	Washer 8-140HV 垫圈	2	
4	GB5783-86	Bolt M8×16 螺栓	2	
5	CZ475Q-090005	Cover plate 盖板	3	
6	CZ475Q-090004	Cover plate gasket 盖板纸垫	4	
7	CZ380Q-090001	Intake pipe 进气管	1	
8	Z380-09003B	Intake pipe mouth 进气管口部	1	
9	GB5783-86	Bolt M8×25 螺栓	2	
10	YRZ (12V) -51	Glow Plug 火焰预热器	1	set 套
11	Z380-09005	Intake End plate 进气管端盖	1	

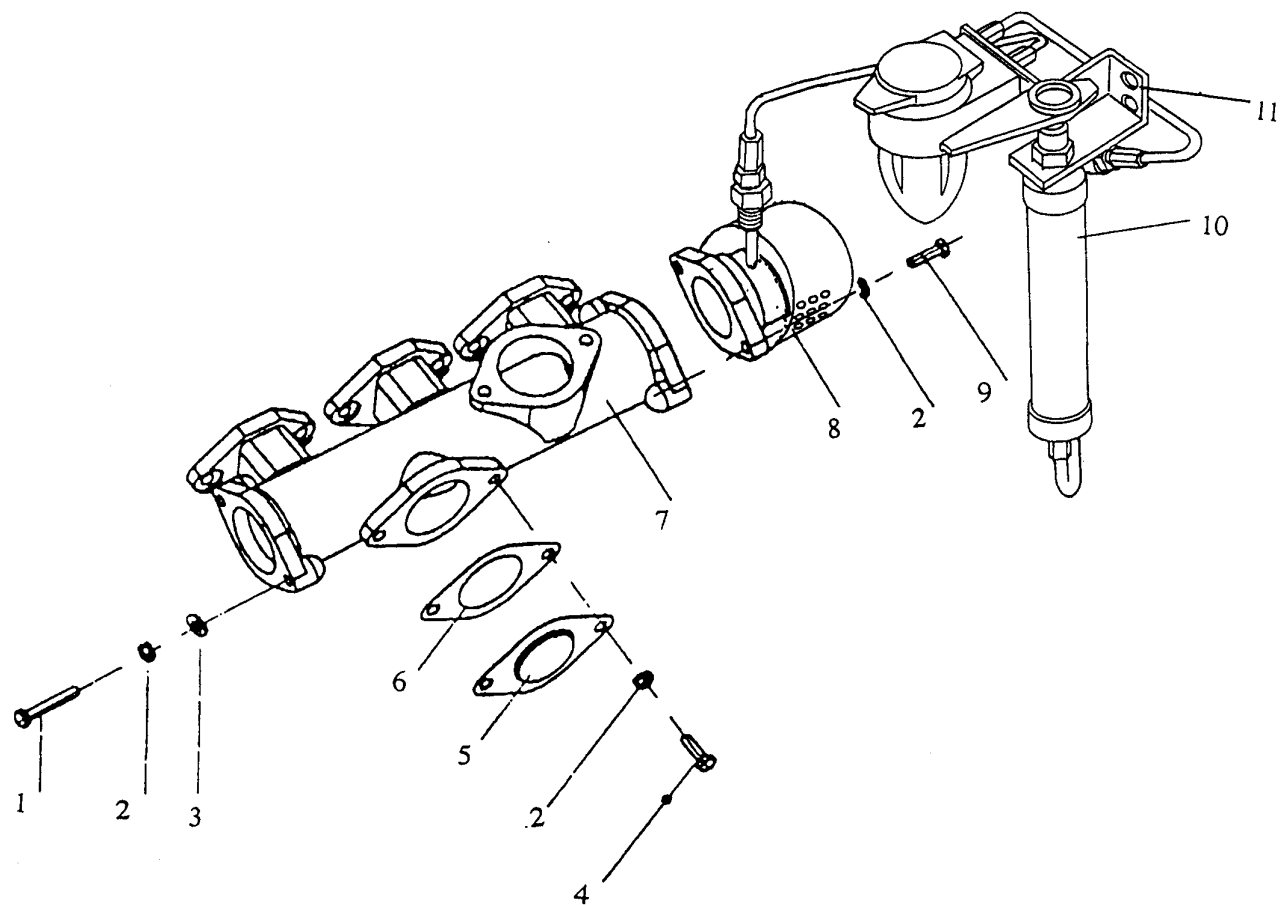


Fig. 16 Intake Pipe Assembly 进气管总成

(Only for the engine set started by spring starter or manual starting device or hydraulic starting device)

(用于加装弹簧起动器或手摇起动装置或液压起动装置的柴油机组)

Fig. 16 Intake Pipe Assembly 进气管总成

(Only for the engine set started by spring starter or manual starting device or hydraulic starting device)

(用于加装弹簧起动机或手摇起动装置或液压起动装置的柴油机组)

Series No. 序号	Parts No. Or Specification 图号或规格	Parts Description 名称	Quantity 数量	Remarks 附注
1	GB5782-86	Bolt M8×30 螺栓	2	
2	GB93-87	Washer 8 垫圈	6	
3	GB97.1-85	Washer 8-140HV 垫圈	2	
4	GB5783-86	Bolt M8×16 螺栓	2	
5	CZ475Q-090005	Cover plate 盖板	3	
6	CZ475Q-090004	Cover plate gasket 盖板纸垫	4	
7	CZ380Q-090001	Intake pipe 进气管	1	
8	Z380-09003	Intake pipe mouth 进气管口部	1	
9	GB5783-86	Bolt M8×25 螺栓	2	
10	FJ-30	Cold starting liquid filler 冷起动液加注器	1	
11	Z380-09101	Filler bracket 加注器支架	1	

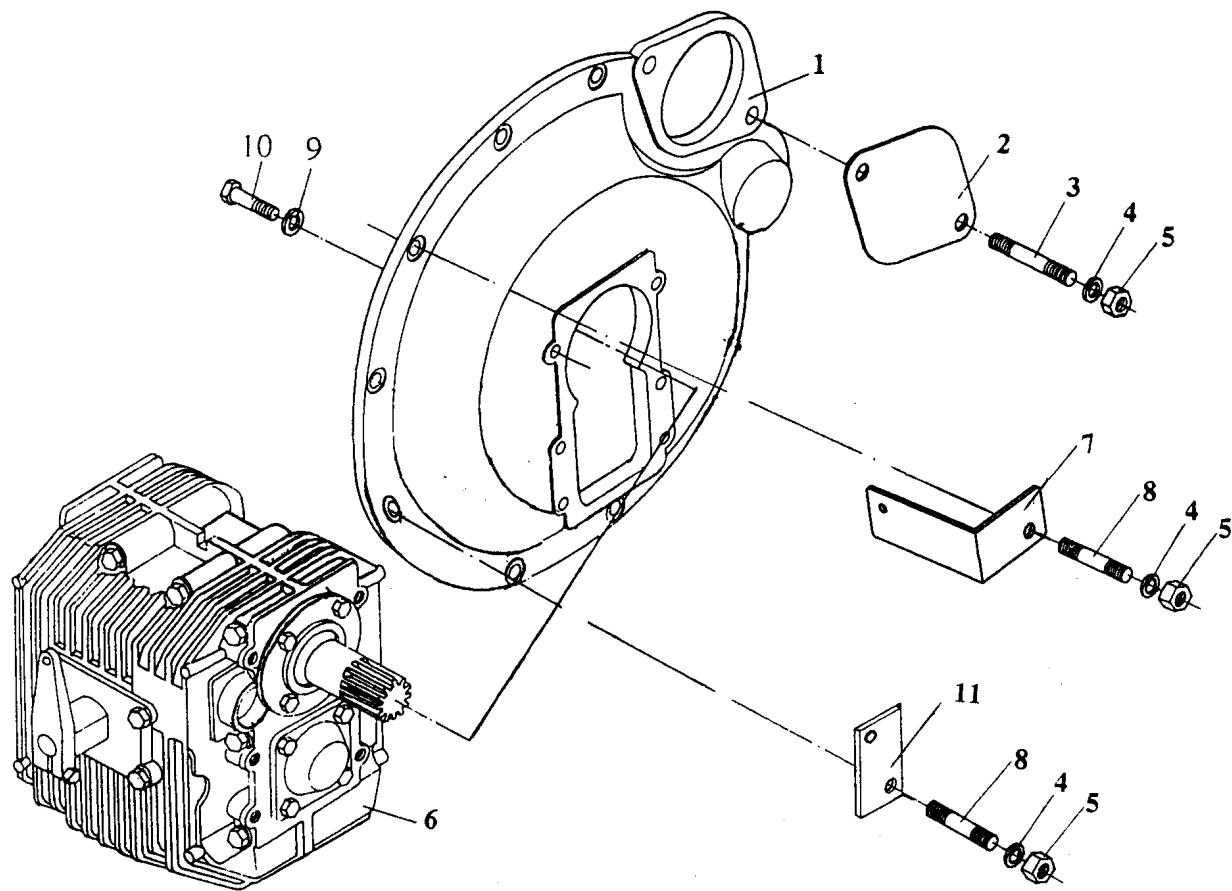


Fig. 17 End Cover Assembly 端盖总成

Fig. 17 End Cover Assembly 端盖总成

Series No. 序号	Parts No. Or Specification 图号或规格	Parts Description 名称	Quantity 数量	Remarks 附注
1	Z380-03501	End cover 端盖	1	Option Z380-03501E
2	380C3-01804	Cover plate 盖板	1	
3	GB899-88	Stud M12×40 螺柱	2	
4	GB93-76	Washer 10 垫圈	12	
5	GB6170-86	Nut M10 螺母	12	
6	SCG025	Gearbox 齿轮箱	1	Option ZF12M
7	Z380-01805	Fuel adjusting bracket 油门调节支架	1	
8	GB898-88	Stud M10×75 螺柱	10	
9	GB93-76	Spring washer 10 弹簧垫圈	6	
10	GB5782-86	Bolt M8×35 螺栓	6	
11	Z380-01802	Bracket 支架	1	

Address: No.2 Mengxi road, zhenjiang City Jiangsu,China.

Post code: 212003

Tel: (+86) 511 84401263,84401256

Fax: (+86) 511 84427291

Http: www.siyangengine.com

Email: sales@siyangengine.com

地址：中国 江苏省镇江市梦溪路 2 号

邮编：212003

电话：(+86) 511 84401263,84401256

传真：(+86) 511 84427291

网址： www.siyangengine.com

电子邮件： sales@siyangengine.com