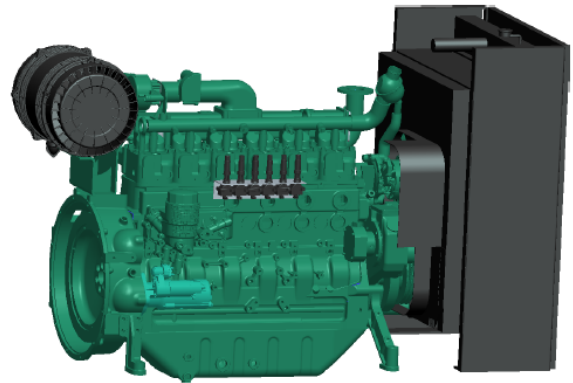


G-Drive Gas Engine- WP6NG Series

General Specifications

Bore & Stroke	105x130 mm
Displacement	6.75 L
Cylinder Number	6
Compression Ratio	11.5:1
Fuel System	Proportional Mixing
Governor Method	ECU
Aspiration	NA/TA
Emission Standard	EU Stage IIIA



Engine Speed	Engine Output		Typical Generator Output
	COP/PRP	Standby(ESP)	
RPM	kW	kW	kWe/kVA
1500	60	66	50/62.5
1500	90	100	80/100
1500	120	132	100/125

Engine Speed	Engine Output		Typical Generator Output
	COP/PRP	Standby(ESP)	
RPM	kW	kW	kWe/kVA
1800	60	66	50/62.5
1800	90	100	80/100
1800	120	132	100/120

Standard Equipment

Engine and block

- Cast iron gantry type structure block
- One-piece forged crankshaft
- Separate cast iron cylinder heads and wet liners
- Big volume gallery oil cooling piston, bear higher combustion temperature and take more heat away

Cooling system

- Radiator and hoses supplied separately
- Thermostatically-controlled system with poly belt driven coolant pump and pusher fan

Lubrication system

- Flat bottom large capacity oil pan (18 L)
- Spin-on full-flow lub oil filter
- Special design connector for oil heater and drawing off oil pump

Fuel system

- Unique and patented mixing system to control air-fuel ratio and get better lean-burn combustion effect
- Weichai special Electronic Control Unit System to improve combustion efficiency
- High-reliability ignition plug and ignition wire system

Air intake and exhaust system

- High grade steel valve seat ring and air intake & exhaust valve with high-reliability
- Special rear mounted air filter with restriction indicator

Electrical system

- 24V electric starter motors and battery charging alternator

Flywheel and housing

- SAE3 flywheel housing and SAE 11.5" flywheel

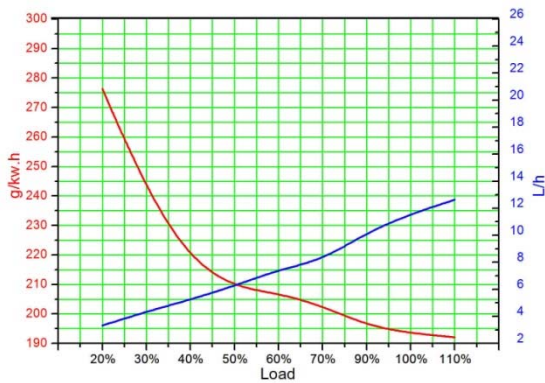
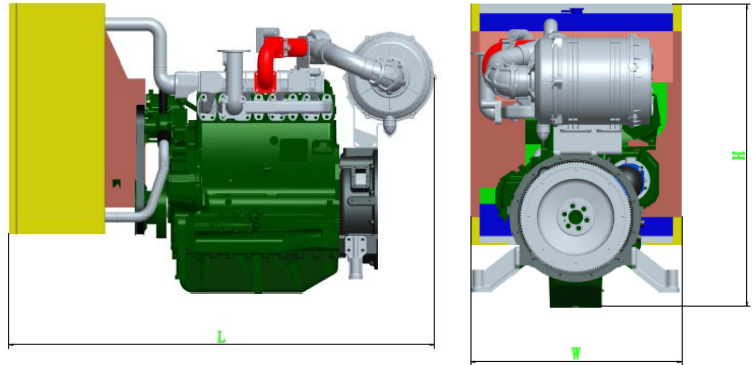
Optional Equipment

- Radiator for tropical environment (50°C)
- Water separated filter
- Immersion heater with thermostat
- CE certificate and nameplate
- Manual drawing off oil pump
- Tool Kits

	Continuous Power(COP)	Prime Power(PRP)	Standby Power(ESP)
Mean engine load factor	100%	≤70% per 250 h	≤80% per 24 h
Annual working time	Unlimited	Unlimited	≤200 h
Time at full load	Unlimited	≤500 h per year	≤25 h per year
Overload capacity	No	1 h per 12 h(10% overload)	No

Dimensions and Weight

	NA	TA
Length	1760 mm	1678 mm
Width	900 mm	840 mm
Height	1402 mm	1092 mm
Dry Weight	625 kg	625 kg



WP6D66E200NG-60kW/1500rpm

Power definition

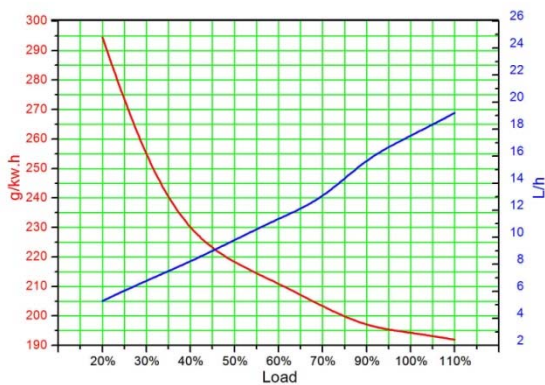
Standard ISO 3046/1 -1995(F)

Reference conditions

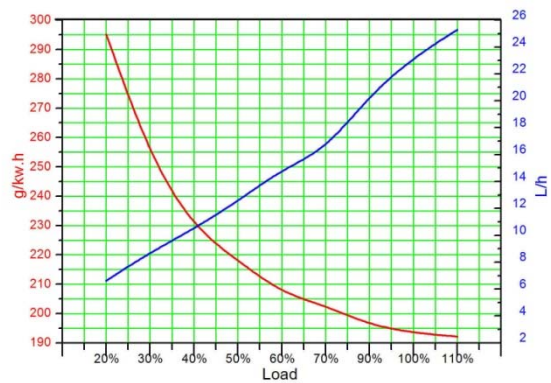
Ambiant temperature	25 °C
Barometric pressure	100 kPa
Relative humidity	30%

Lube oil

Recommend grade CF 15W/40



WP6D100E200NG -90kW/1500rpm



WP6D132E200NG-120kW/1500rpm

Distributed By:

Manufacturer: Weichai Power Co., Ltd
 Address: 197 A, Fushou East Street, High-Tech
 Development Zone, Weifang, China
www.weichai.com

