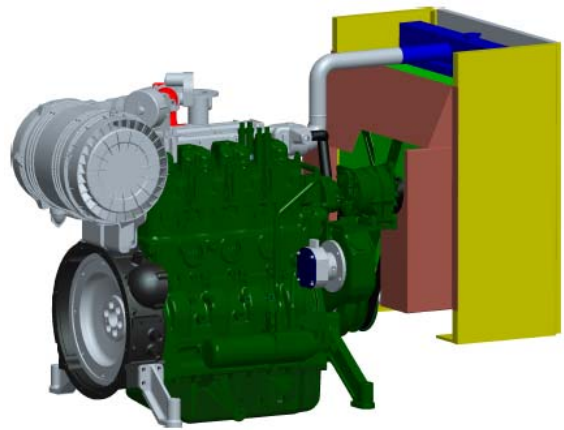


## G-Drive Gas Engine- WP4NG Series

### General Specifications

Bore & Stroke	105x130 mm
Displacement	4.5 L
Cylinder Number	4
Compression Ratio	11.5:1
Fuel System	Proportional Mixing
Governor Method	ECU
Aspiration	NA
Emission Standard	EU Stage IIIA



Engine Speed	Engine Output		Typical Generator Output
	COP/PRP	Standby(ESP)	
RPM	kW	kW	kWe/kVA
1500	40	44	30/37.5

Engine Speed	Engine Output		Typical Generator Output
	COP/PRP	Standby(ESP)	
RPM	kW	kW	kWe/kVA
1800	40	44	30/37.5

### Standard Equipment

#### Engine and block

- Cast iron gantry type structure block
- One-piece forged crankshaft
- Separate cast iron cylinder heads and wet liners
- Big volume gallery oil cooling piston, bear higher combustion temperature and take more heat away

#### Cooling system

- Radiator and hoses supplied separately
- Thermostatically-controlled system with poly belt driven coolant pump and pusher fan

#### Lubrication system

- Flat bottom large capacity oil pan (10 L)
- Spin-on full-flow lub oil filter
- Special design connector for oil heater and drawing off oil pump

### Optional Equipment

- Radiator for tropical environment (50°C)
- Water separated filter
- Immersion heater with thermostat
- CE Certificate and nameplate
- Manual drawing off oil pump
- Tool Kits;

#### Fuel system

- Unique and Patented Mixing System to control air-fuel ratio and get better lean-burn combustion effect
- Weichai special Electronic Control Unit System to improve combustion efficiency
- High-reliability ignition plug and ignition wire system

#### Air intake and exhaust system

- High grade steel valve seat ring and air intake & exhaust valve with high-reliability
- Special rear mounted air filter with restriction indicator
- Stainless steel exhaust manifold shield for heat isolating

#### Electrical system

- 24V electric starter motor and battery charging alternator

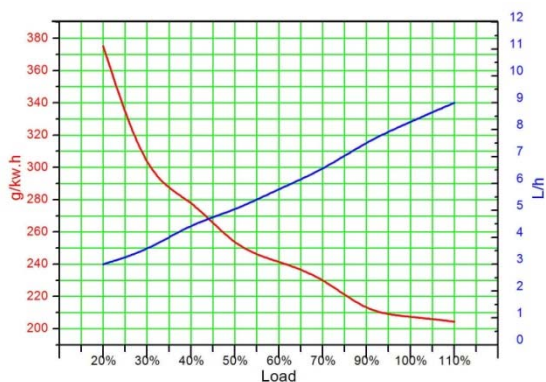
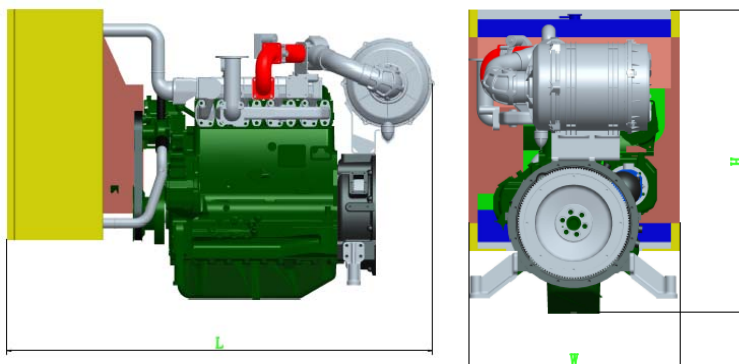
#### Flywheel and housing

- SAE3 flywheel housing and 11.5" flywheel

	Continuous Power(COP)	Prime Power(PRP)	Standby Power(ESP)
Mean engine load factor	100%	≤70% per 250 h	≤80% per 24 h
Annual working time	Unlimited	Unlimited	≤200 h
Time at full load	Unlimited	≤500 h per year	≤25 h per year
Overload capacity	No	1 h per 12 h(10% overload)	No

## Dimensions and Weight

Length	1602 mm
Width	750 mm
Height	1079 mm
Dry Weight	500kg



WP4D44E200NG-40kW/1500rpm

### Power definition

Standard ISO 3046/1 -1995(F)

### Reference conditions

Ambiant temperature	25 °C
Barometric pressure	100 kPa
Relative humidity	30%

### Lube oil

Recommend grade	CF 15W/40
-----------------	-----------

Distributed By:

Manufacturer: Weichai Power Co., Ltd  
 Address: 197 A, Fushou East Street, High-Tech  
 Development Zone, Weifang, China  
[www.weichai.com](http://www.weichai.com)

