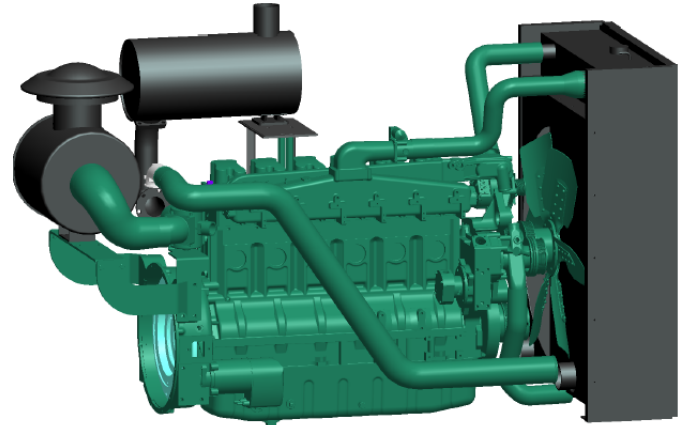


G-Drive Gas Engine- WP12NG Series

General Specifications

Bore & Stroke	126x130 mm
Displacement	11.596 L
Cylinder Number	6
Compression Ratio	11.6:1
Fuel System	Proportional Mixing
Governor Method	ECU
Aspiration	TA
Emission Standard	EU Stage IIIA



Engine Speed	Engine Output		Typical Generator Output
	COP/PRP	Standby(ESP)	
RPM	kW	kW	kWe/kVA
1500	216	238	180/225
1500	240	264	200/250

Engine Speed	Engine Output		Typical Generator Output
	COP/PRP	Standby(ESP)	
RPM	kW	kW	kWe/kVA
1800	216	238	180/225
1800	240	264	200/250

Standard Equipments

Engine and block

Cast iron frame style body structure
 One-piece forged crankshaft
 Separate cast iron cylinder heads and replaceable dry cylinder liners
 Big volume gallery oil cooling piston, bear higher combustion temperature and take more heat away

Cooling system

Radiator and hoses supplied separately
 Thermostatically-controlled system with poly belt driven coolant pump and pusher fan

Lubrication system

Flat bottom large capacity oil pan (24 L)
 Spin-on full-flow lub oil filter
 High capacity gear driven lube oil pump

Fuel system

Unique and patented mixing system to control air-fuel ratio and get better lean-burn combustion effect
 Weichai special Electronic Control Unit System to improve combustion efficiency
 High-reliability ignition plug and ignition wire system

Air intake and exhaust system

High grade steel valve seat ring and air intake & exhaust valve with high-reliability
 Special rear mounted air filter with restriction indicator
 Stainless steel exhaust manifold cover for heat isolating

Electrical system

24V electric starter motors and battery charging alternator

Flywheel and housing

SAE1 flywheel housing and 11.5/14" flywheel

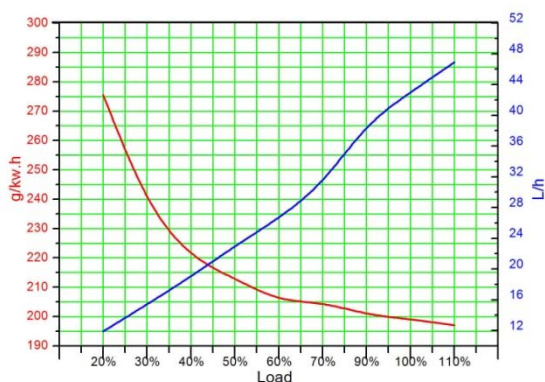
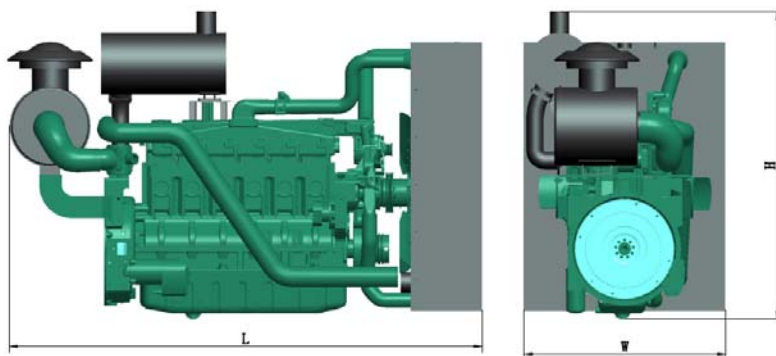
Optional Equipments

- Radiator for tropical environment (50°C)
- Water separated filter
- Immersion heater with thermostat
- CE certificate and nameplate
- Manual drawing off oil pump
- Tool Kits

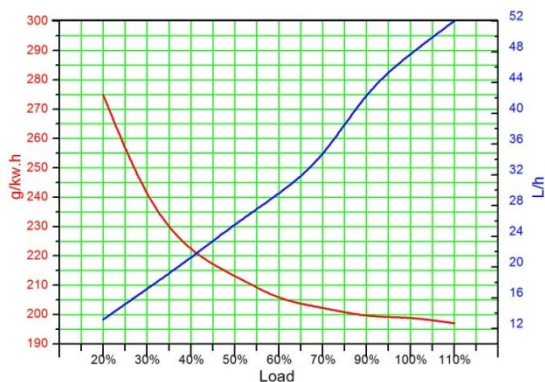
	Continuous Power(COP)	Prime Power(PRP)	Standby Power(ESP)
Mean engine load factor	100%	≤70% per 250 h	≤80% per 24 h
Annual working time	Unlimited	Unlimited	≤200 h
Time at full load	Unlimited	≤500 h per year	≤25 h per year
Overload capacity	No	1 h per 12 h(10% overload)	No

Dimensions and Weight

Length	2305 mm
Width	980 mm
Height	1491 mm
Dry Weight	1100kg



WP12D238E200-240kW/1500rpm



WP12D264E200-216kW/1500rpm

Power definition

Standard ISO 3046/1 -1995(F)

Reference conditions

Ambiant temperature	25 °C
Barometric pressure	100 kPa
Relative humidity	30%

Lube oil

Recommend grade	CF 15W/40
-----------------	-----------

Distributed By:

Manufacturer: Weichai Power Co., Ltd
 Address: 197 A, Fushou East Street, High-Tech
 Development Zone, Weifang, China
www.weichai.com

