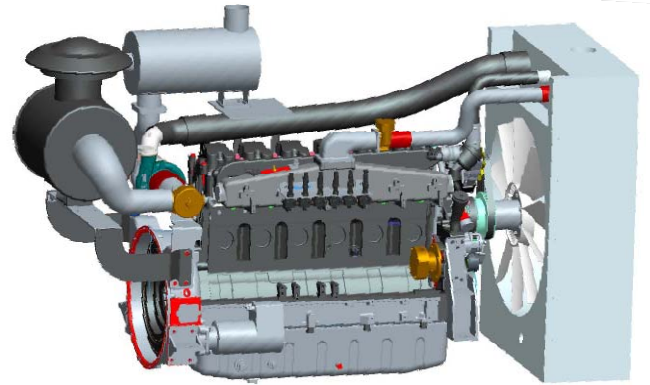


## G-Drive Gas Engine- WP10NG Series

### General Specifications

Bore & Stroke	126x130 mm
Displacement	9.726 L
Cylinder Number	6
Compression Ratio	11.6:1
Fuel System	Proportional Mixing
Governor Method	ECU
Aspiration	TA
Emission Standard	EU Stage IIIA



Engine Speed	Engine Output		Typical Generator Output
	COP/PRP	Standby(ESP)	
RPM	kW	kW	kWe/kVA
1500	144	158	120/150
1500	182	200	150/187.5

Engine Speed	Engine Output		Typical Generator Output
	COP/PRP	Standby(ESP)	
RPM	kW	kW	kWe/kVA
1800	144	158	120/150
1800	182	200	150/187.5

### Standard Equipment

#### Engine and block

- Cast iron frame style body structure
- One-piece forged crankshaft
- Separate cast iron cylinder heads and replaceable dry cylinder liners
- Big volume gallery oil cooling piston, bear higher combustion temperature and take more heat away

#### Cooling system

- Radiator and hoses supplied separately
- Thermostatically-controlled system with poly belt driven coolant pump and pusher fan

#### Lubrication system

- Flat bottom large capacity oil pan (24 L)
- Spin-on full-flow lub oil filter
- High capacity gear driven lube oil pump

#### Fuel system

- Unique and patented mixing system to control air-fuel ratio and get better lean-burn combustion effect
- Weichai special Electronic Control Unit System to improve combustion efficiency
- High-reliability ignition plug and ignition wire system

#### Air intake and exhaust system

- High grade steel valve seat ring and air intake & exhaust valve with high-reliability
- Special rear mounted air filter with restriction indicator

#### Electrical system

- 24V electric starter motors and battery charging alternator

#### Flywheel and housing

- SAE1 flywheel housing and 11.5/14" flywheel

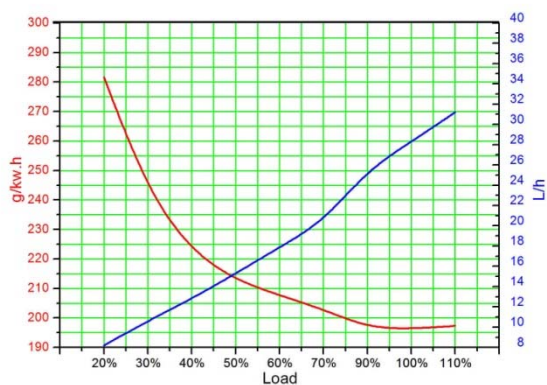
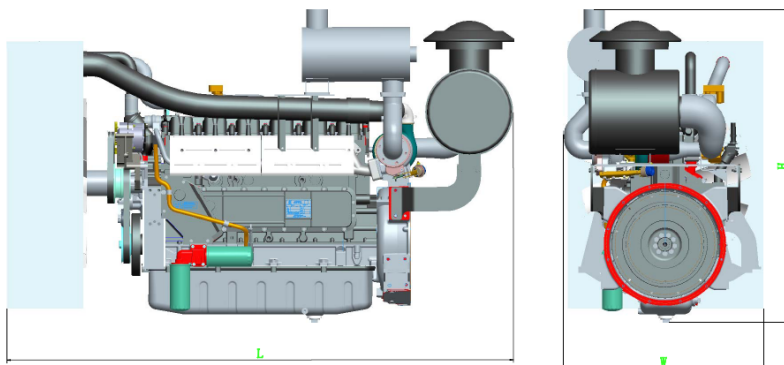
### Optional Equipment

- Radiator for tropical environment (50°C)
- Water separated filter
- Immersion heater with thermostat
- CE certificate and nameplate
- Manual drawing off oil pump
- Tool Kits

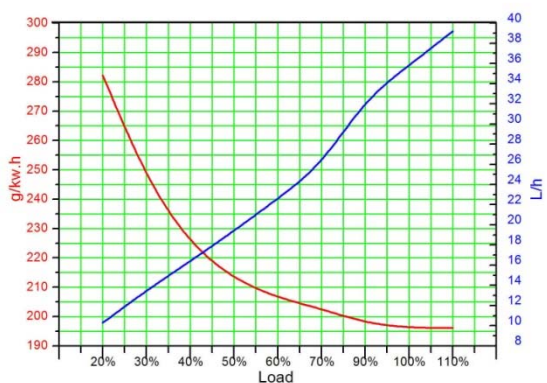
	Continuous Power(COP)	Prime Power(PRP)	Standby Power(ESP)
Mean engine load factor	100%	≤70% per 250 h	≤80% per 24 h
Annual working time	Unlimited	Unlimited	≤200 h
Time at full load	Unlimited	≤500 h per year	≤25 h per year
Overload capacity	No	1 h per 12 h(10% overload)	No

## Dimensions and Weight

Length	2284 mm
Width	898 mm
Height	1407 mm
Dry Weight	875kg



WP10D158E200-144kW/1500rpm



WP10D200E200-182kW/1500rpm

### Power definition

Standard ISO 3046/1 -1995(F)

### Reference conditions

Ambiant temperature 25 °C

Barometric pressure 100 kPa

Relative humidity 30%

### Lube oil

Recommend grade CF 15W/40

Distributed By:

Manufacturer: Weichai Power Co., Ltd  
 Address: 197 A, Fushou East Street, High-Tech  
 Development Zone, Weifang, China  
[www.weichai.com](http://www.weichai.com)

